

FIRE PIT

DANGER

CARBON MONOXIDE HAZARD

This appliance can produce carbon monoxide which has no odor. Using it in an enclosed space can kill you.

Never use this appliance in an enclosed space such as a camper, tent, car or home.



DANGER

FIRE OR EXPLOSION HAZARD If you smell gas:


- Shut off gas to the appliance.
- Extinguish any open flame.
- If odor continues, leave the area immediately.
- After leaving the area, call your gas supplier or fire department. Failure to follow these instructions could result in fire or explosion, which could cause property damage, personal injury, or death.


WARNING: FOR OUTDOOR USE ONLY.

Installation and service must be performed by a qualified installer, service agency, or the gas supplier.

INSTALLER: Leave this manual with the appliance.

CONSUMER: Retain this manual for future reference.

 **WARNING:** If the information in this manual is not followed exactly, a fire or explosion may result causing property damage, serious injury, or loss of life.

 **WARNING:** Do not store or use gasoline or other flammable vapors and liquids in the vicinity of this or any other appliance.

An LP gas tank not connected for use shall not be stored in the vicinity of this or any other appliance.

Contents

Important Safety Information.....	03
Propane (LP) Gas Dangers and Warnings.....	05
Parts List.....	06
Accessories List.....	07
Exploded Views.....	08
Installation steps.....	09
Pre-Use Instructions.....	12
Lighting Instructions.....	13
Care and Cleaning.....	14
Spider and Insect Warning.....	15
Troubleshooting.....	16

IMPORTANT SAFTY INFORMATION

General Warnings

- Children and adults should be alerted to the hazards of high surface temperatures and should stay away to avoid burns or clothing ignition.
- Children should be carefully supervised when in the area of the fireplace.
- Clothing or other flammable materials should not be hung from the fireplace or placed on or near the fireplace.
- Any guard or other protective device removed for servicing the fireplace must be replaced prior to operating the fireplace.
- Installation and service must be performed by a qualified service agency or gas supplier. Homary recommends using professionals who are certified in the U.S. by the National Fireplace Institute® (NFI) as NFI Gas Specialists.
- More frequent cleaning may be required as necessary. It is imperative that the control compartment, burners, and circulating air passageways of the appliance are kept clean.
- Do not store or use gasoline or other flammable vapors or liquids within 25 feet (7.62 m) of this fireplace or any other appliance.
- Do not store combustible materials in the fireplace enclosure. This includes LP gas tanks. If the fireplace is designed to use a hidden LP gas tank, the LP gas tank should be properly secured in the designated tank holder under the fireplace. Do not store extra LP gas tanks under the fireplace.
- Be sure to protect the hose and its components from any hot surfaces. It is dangerous to allow the hose to come into contact with any hot surface.
- The LP gas tank should never be operated or stored on its side or upside down.
- Keep all parts of the fireplace clean including the burner and hose assembly. For more information on cleaning your fireplace please refer to the “Care and Cleaning” section of this manual.
- Do not use this fireplace if any part has been under water. Immediately call a qualified service technician to inspect the fireplace and replace any part of the system that has been under water.
- Do not use this fireplace for cooking.
- Do not pour water into the fireplace.
- Do not attempt to move or store this fireplace until all parts are cool.
- Always shut off the gas supply at the source and disconnect the hose when the fireplace is not in use.
- Any alteration of this fireplace that is not specifically directed in the owner’s manual will void the manufacturer’s warranty. This includes the use of unapproved filler materials.

IMPORTANT SAFTY INFORMATION

Installation Warnings

Minimum clearance from the fireplace to combustible materials is 96 inches (243.8 cm) from top and 36 inches (91.4 cm) on all sides. Do not place this fireplace under any overhead structure or vegetation.

The normal LP inlet pressure for this fireplace is 11.0" W.C. (2.74 kPa).

Do not remove the feet from this fireplace.

Do not place the fireplace on anything that blocks or seals the gap between the fireplace and the ground.

Do not permanently secure the fireplace in any way or to any surfaces.

Do not bury the hose. You must be able to visually inspect the hose for damage before each use.

Do not coil or hide the hose under the fireplace. The hose could be damaged if it touches hot surfaces.

Set Up Warnings

Prior to each operation, check the hose assembly for evidence of excessive abrasion, wear or damage. Use a handheld mirror, if necessary, to see the hose sections located below the unit.

If the hose assembly is damaged, cracked, or cut, it must be replaced before using the fireplace. Please contact Homary Customer Service for assistance.

Place the hose out of the pathways where people may trip over it. Do not place the hose in areas where it may be accidentally damaged.

Before each use, examine the burner and its components for dirt and debris. If cleaning is required, use a pipe cleaning brush and compressed air. Also examine the area around the burner.

Any dirt or foreign material, such as spider webs, nests, leaves, etc., should be removed. If it is evident that the burner is damaged, the fireplace must not be used, and the burner assembly must be replaced. Please contact Homary Customer Service for support.

In-Use Warnings

This appliance is only intended for operation in temperatures above 32°F.

NEVER LEAVE this fireplace unattended when in use.

Do not burn solid fuels, such as charcoal briquettes, lump charcoal, manufactured logs, trash, leaves, paper, cardboard, any type of natural or treated wood, or any other materials in this fireplace.

The use of alcohol, prescription or non-prescription drugs may impair your ability to safely operate this fireplace.

Always use in accordance with all applicable local, state, and national codes.

Contact your local fire department for details on outdoor burning.

Do not use in windy conditions. Windy conditions may cause the flame to drift out of the designated burn area or may cause the flame to extinguish. Prolonged exposure to wind with the fire table in operation can damage the finish around the burner area, causing discoloration or cracking.

Some surfaces of this fireplace may become hot during use. Be careful and do not touch surfaces until the unit has cooled.

Do not attempt to disconnect the gas supply from the fireplace when the unit is in use.

Do not sit on the fireplace.

PROPANE (LP) GAS DANGERS AND WARNINGS

⚠ WARNING: LP gas is flammable and hazardous if handled improperly. Become aware of its characteristics before using any LP gas product. Failure to understand and follow these warnings or any directions and warnings provided by your LP gas supplier may result in property damage, serious injury, or death.

⚠ DANGER: An LP gas tank should never be placed on its side. Doing so may cause liquid propane to leak. This could cause a fast buildup of LP gas and could lead to property damage, serious injury, or death.

LP Gas Characteristics

LP gas is flammable, explosive under pressure, heavier than air and settles in pool in low areas. Pooled gas may ignite causing a fire or explosion which could cause property damage, serious injury, or death.

In its natural state, LP gas has no odor. For your safety, a scent has been added.

Contact with LP gas could burn your skin.

LP Gas Tank Information

LP gas tanks should be filled only by a certified LP gas dealer.

Never use an LP gas tank with a damaged body, valve, collar or footing.

Dented or rusted LP tanks may be hazardous and should be checked by your LP gas supplier.

The LP gas supply tank must be constructed and marked in accordance with The Specifications for LP Gas Tanks of The U.S. Department of Transportation (DOT) or The National Standard of Canada, CAN/CSA-B339, LP Gas Tanks, Spheres and Tubes for The Transportation of Dangerous Goods; and Commission.

LP gas tanks must be arranged for vapor withdrawal.

Use LP propane gas tanks only with these required measurements 12in.(diameter)x18in.(tall) with 20lb capacity maximum.

LP gas tanks must have a listed overfilling prevention device (OPD) and a QCCI or Type I (CGA810) LP gas tank connection.

The LP gas tank must contain a shut-off valve as specified in The Standard for Compressed Gas Cylinder Valve Outlet and Inlet Connection, ANSI/CGA-V-1-1977, CSA B96.

Never attempt to attach this fireplace to the self-contained LP gas system of a camper, trailer, motor home or house.

Hand-turn the manual gas control valve on your LP gas tank. Never use tools. If the valve will not turn by hand, do not try to repair it. Call a certified gas technician.

The use of force or any attempt at amateur repair may cause a fire or explosion.

LP Gas Tank Storage and Safety

LP gas tanks must be stored upright and outdoors in a well-ventilated area out of reach of children.

Never store an LP gas tank in an enclosed area, such as a shed or garage. Leaking gas could build up in these areas and may result in an explosion.

Do not store LP gas tanks near any source of flame or ignition.

Never store an LP gas tank in indirect sunlight or where temperatures can reach 125°F (51.67°C) or higher.

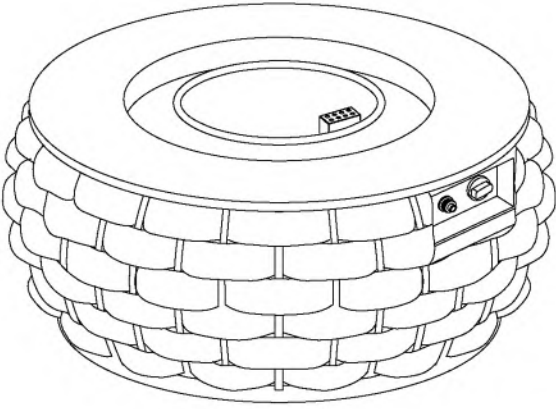
Never keep a filled LP gas tank in a hot car or car trunk. Heat will cause the gas pressure to increase, which may open the relief valve and allow gas to escape.

Place the dust cap on the LP gas tank valve outlet when the LP gas is not in use. Only use the dust cap that is provided with the LP gas tank. Other types of caps or plugs may result in leakage of LP gas.

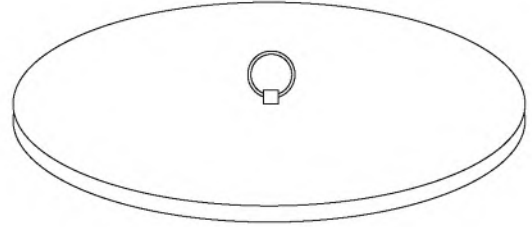
The LP gas tank should not be dropped or handled roughly.

Parts List

Ax1



Bx1

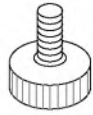


Cx1



Accessories List

Dx4

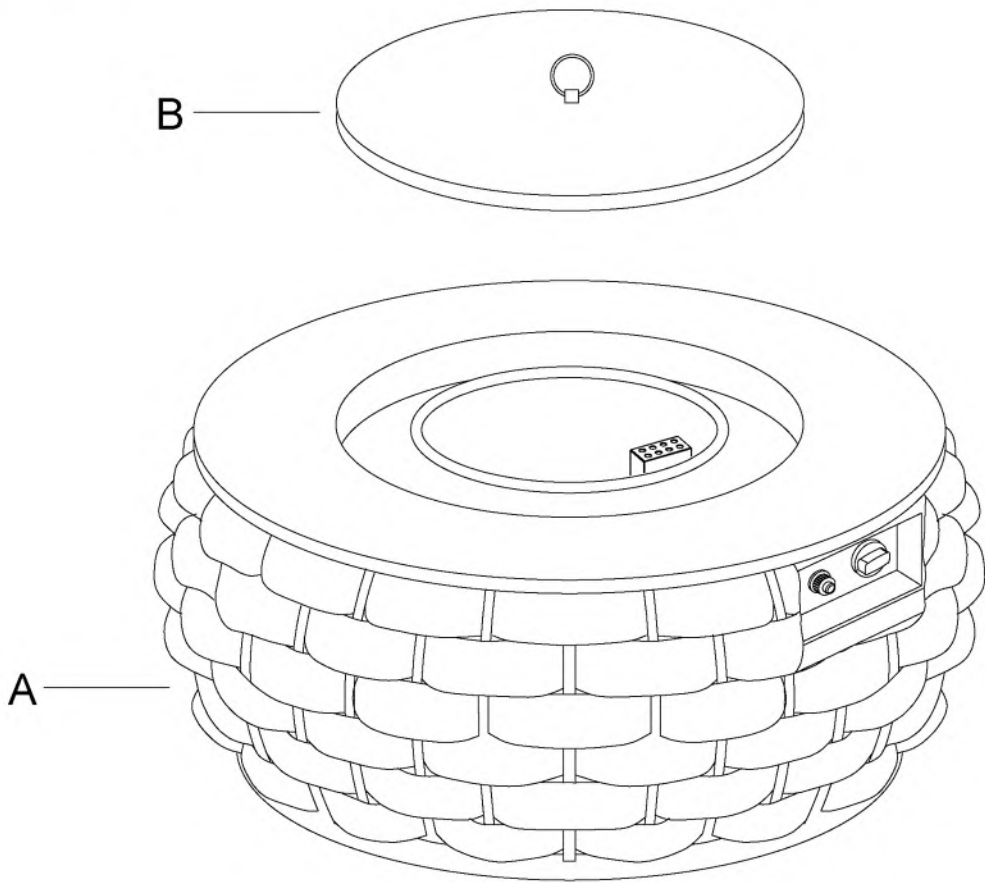


Ex1box

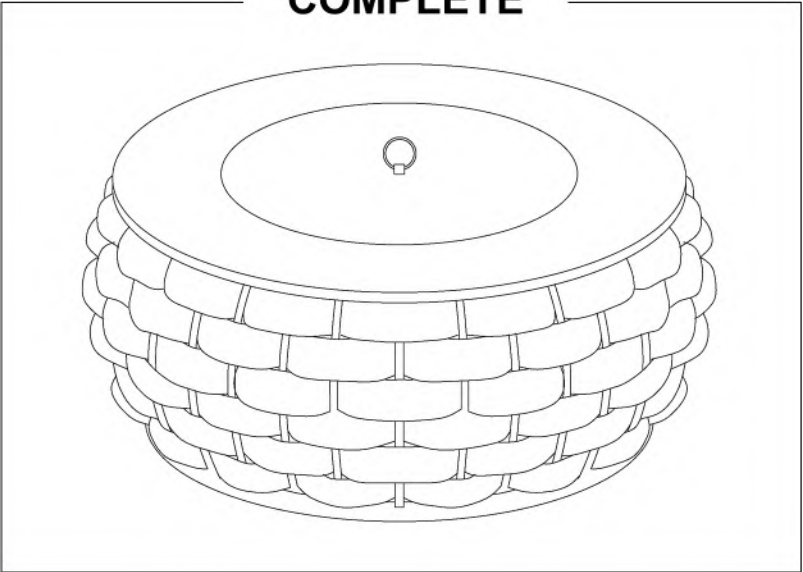


Exploded Views

EXPLODED




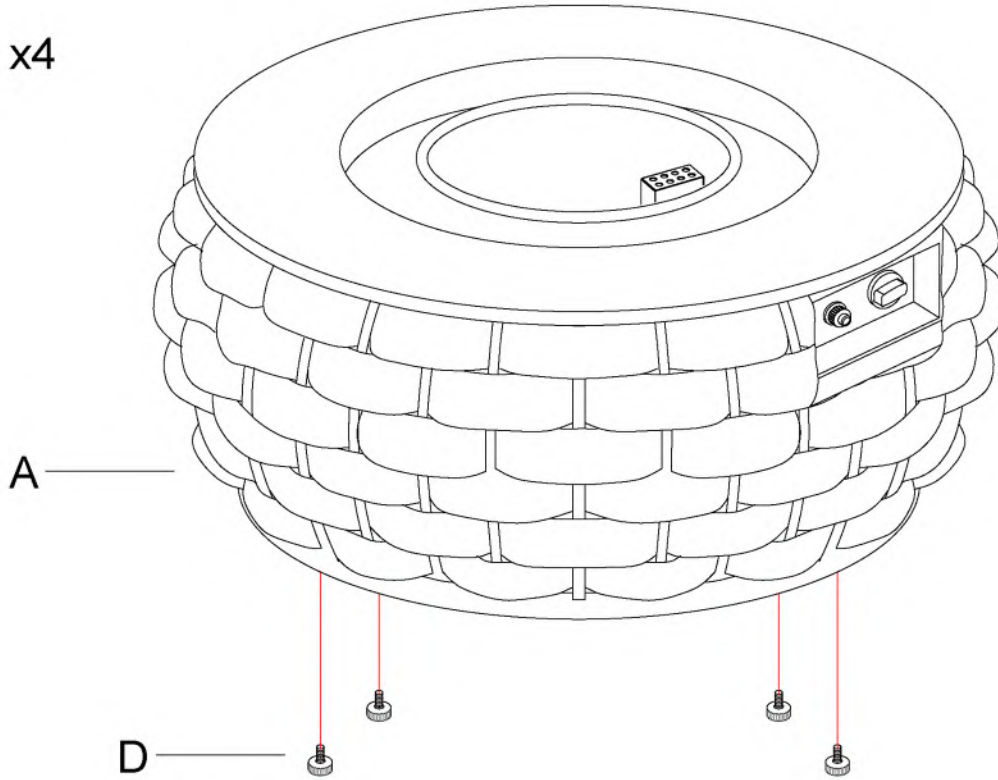
COMPLETE



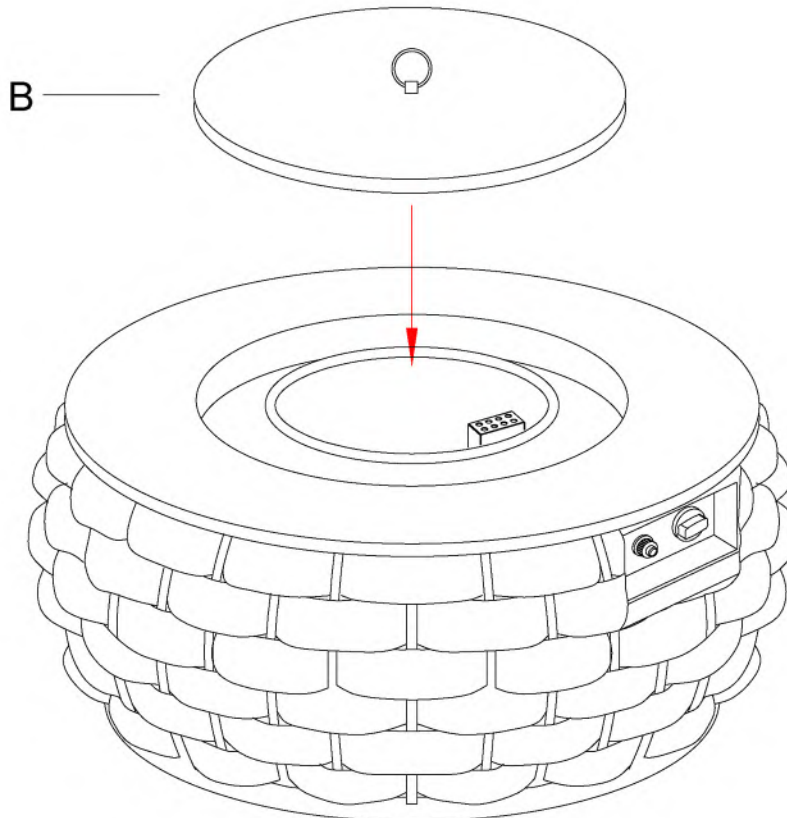
Installation Steps

Step 1

D  x4

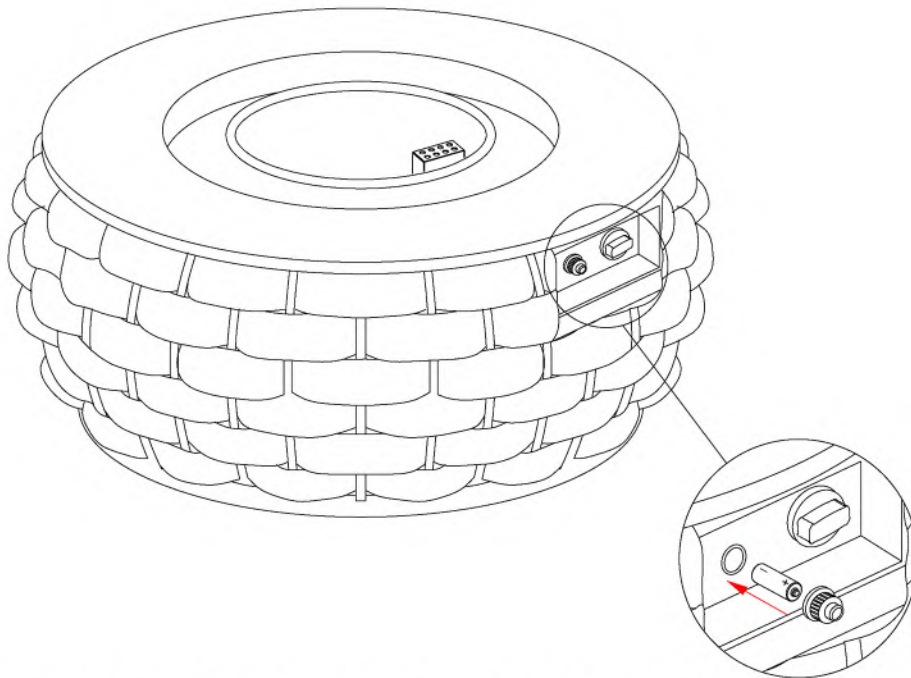


Step 2



Installation Steps

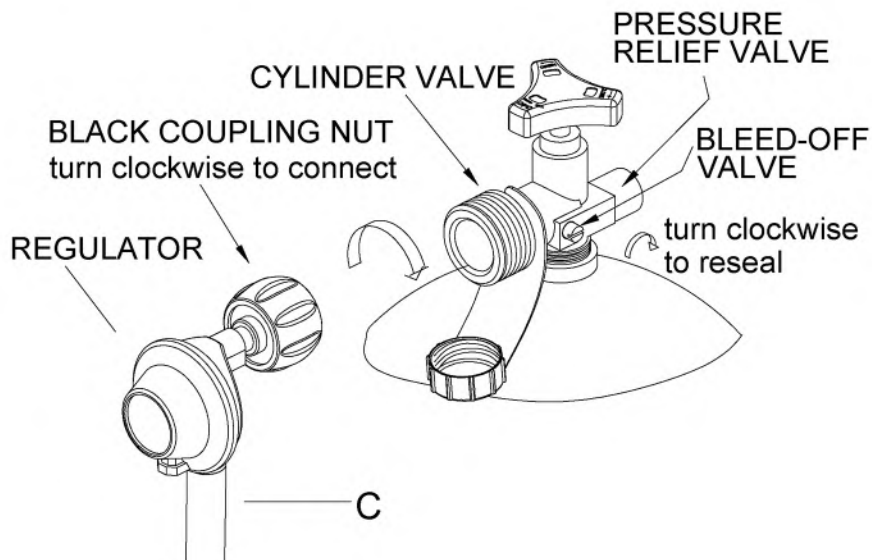
Step 3



Install the AA battery (not included) as shown in the diagram

Step 4

Turn the cylinder valve on the tank clockwise to close the propane tank. Attach the preassembled regulator to the cylinder valve by turning the regulator coupling nut clockwise. Make sure it is fastened securely and tighten connections by hand only.



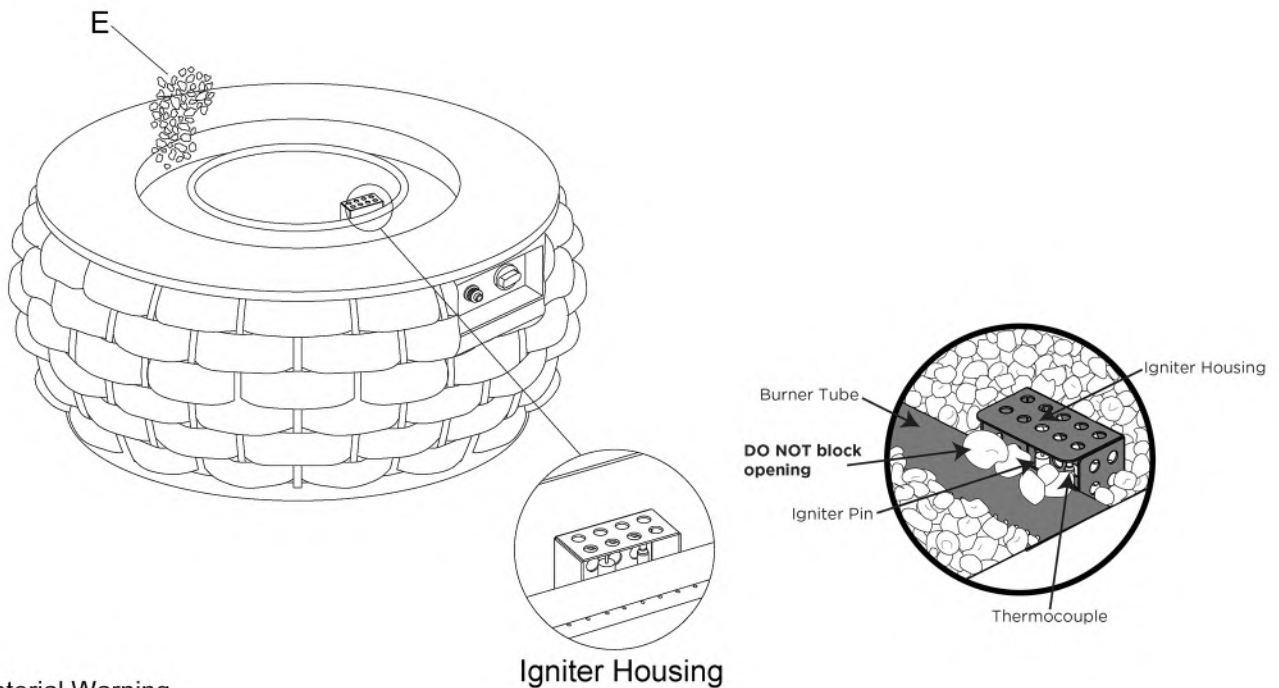
Installation Steps

Step 5

Place the filler material into the burner pan by hand. To avoid clogging the burner with dust do not dump the bag into the burner pan. Position the filler across the burner pan to a level that is 1 inch (2.54 cm) above the burner tube. Make sure you do not block the igniter housing with the filler material to ensure proper ignition and operation.

If using glass filler, Homary suggests first placing a layer of lava rock in the burner pan to improve airflow.

E  x1box



Filler Material Warning

- Do not overfill the burner area with rock or glass filler; use only the specified amount. The depth of the filler should not be more than 1 inch (2.54 cm) above the burner tube.
- Do not light or use this fireplace if the filler is wet. Ensure filler is completely dry before lighting. Intense heat can cause wet filler to explode and hit someone causing property damage, serious injury, or death.
- Keep away from the fireplace for at least 20 minutes during initial start-up as filler could retain moisture from manufacturing and shipping.

⚠ WARNING: If the table is installed with a portion of the hose under the table, the hose must be secured, so that no part of the hose will be within 1" or come in contact with the underside of the burn pan or where the hose will not be accidentally damaged or pinched.

Failure to secure the hose in a safe location may result in a gas leak that could cause property damage, injury, or death. Follow all other hose inspection instructions listed in this manual.

Pre-use Instructions

⚠ WARNING: Before using this fireplace, make sure you have read, understand, and are following all information provided in this manual. Failure to follow these instructions could cause property damage, serious injury, or death.

Checking for Leaks

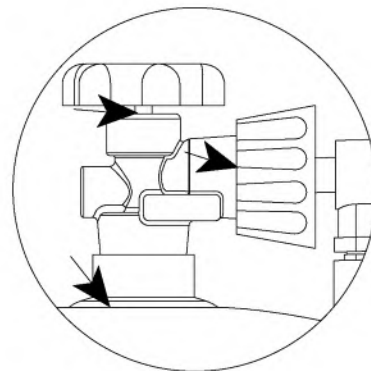
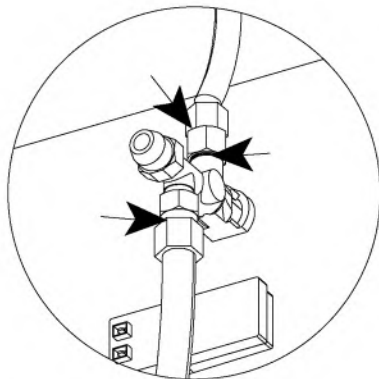
Make a leak check solution by mixing 1 part dishwashing soap with 3 parts water in a spray bottle.

Make sure the control knob on the fireplace is in the “OFF” position, then connect your fireplace to the LP gas tank and turn the tank’s valve on.

Spray the leak solution on the valve connections, paying particular attention to the areas indicated by arrows in the diagrams below.

If bubbles appear, turn the LP gas tank off, disconnect the tank, and inspect all connections, making sure threads are clear of debris. Reconnect the LP gas tank and retest. If you continue to see bubbles, turn the LP gas tank off. Disconnect the hose and call Homary Customer Service for assistance.

If no bubbles appear after 1 minute, wipe away excess leak solution and proceed to “Lighting Instructions.”

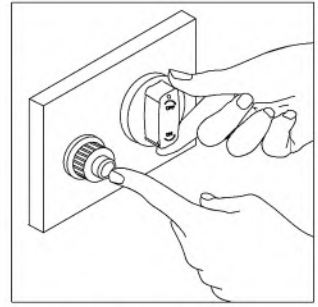


Pay close attention to the areas indicated by the arrows.

Lighting Instructions

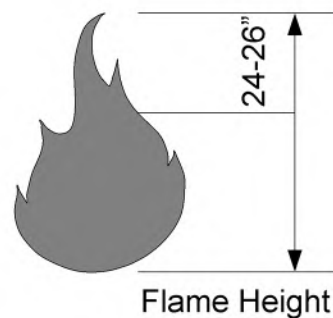
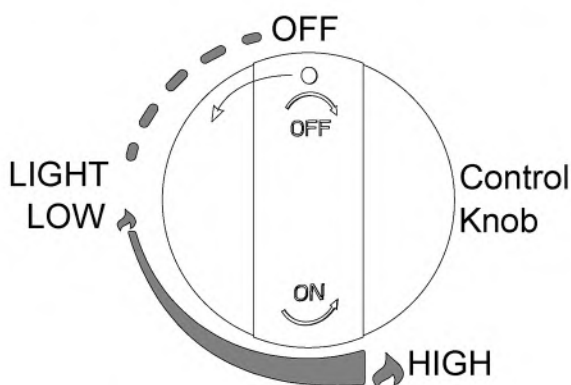
Using the Igniter

1. Read and understand all operating instructions before lighting.
2. Before beginning, make sure the control knob is in the "OFF" position.
3. Connect your LP gas tank (see previous pages).
4. Slowly open the valve on your LP gas tank.
5. Prepare to ignite your fire table by placing one hand on the control knob and one hand on the igniter button (see diagram). DO NOT lean over any part of the burner. Verify that the area around the burner is free of hazards.
6. Push and hold the igniter button. You should hear a clicking sound.
7. While keeping the ignition button depressed, use your other hand to push in and turn the control knob counterclockwise to the "LIGHT" position.
8. Once the burner ignites, release the igniter button, but continue to keep the control knob pushed in for 15-30 seconds.



WARNING: If ignition does not occur in 15 seconds, turn the control knob to the "OFF" position and turn the gas off at its source. Make sure there is no source of ignition around the fireplace and wait at least 5 minutes until the gas has cleared to repeat the lighting procedure. Failure to do so could result in a large flashback of pooled gas, causing property damage, serious injury, or death.

9. After successfully lighting the fireplace, release the control knob and turn it to the "LOW" setting. Observe the flame and make sure that all the burner ports are lit.
10. Adjust the flame to the desired height using the control knob.




Shut-off Instructions

1. Push and turn the control knob clockwise to the "OFF" position.
2. Turn the gas off at its source (LP tank or shut off valve).


Care and Cleaning

Inspecting Your Fireplace

 **WARNING:** DO NOT inspect, clean, move or store your fireplace until the flames are COMPLETELY out and all parts are cool to the touch.

Your fireplace should be inspected regularly to ensure that it is safe to use and to extend the life of its parts. To inspect your fireplace follow these steps:

1. Make sure all parts are securely fastened in place. If a part moves when touched, check its connection points to see if they are loose.
2. Check all connections for leaks using the method described in the “Checking for Leaks” section of this manual.
3. Check the igniter system by pushing the igniter button and verifying that a spark is being generated in the igniter housing.
4. Visually check all components for any signs of damage, rust, or excessive wear.
5. If damage or leaks of any kind are found. DO NOT operate the fireplace until the proper repairs have been made.

 **WARNING:** DO NOT tamper with this fireplace. This is dangerous and will void the warranty. Repairs and modifications must be approved by Homary and completed by a professional gas technician.

General Care and Cleaning

After repeated use, a slight discoloration or weathering of the fireplace finish may occur. Your fireplace should be cleaned regularly to ensure safe use and extend its life.

General Cleaning

Make a cleaning solution using a mild soap mixed with water. Use a soft cloth to wipe down exterior surfaces and rinse with clean water. Never use oven cleaners or abrasive solvents as these will damage the fireplace.

Burner

The burner should be kept clean to ensure proper operation. Clogged burner ports may be cleared with a paper clip or pin. Debris in the burner tube can be cleaned using compressed air or a pipe cleaning brush.

Soot

After use it is possible for soot to develop on some surfaces. This soot deposit will usually come off with water and mild soap.

Storage

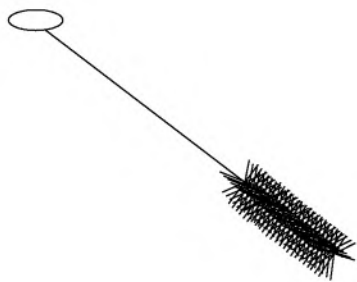
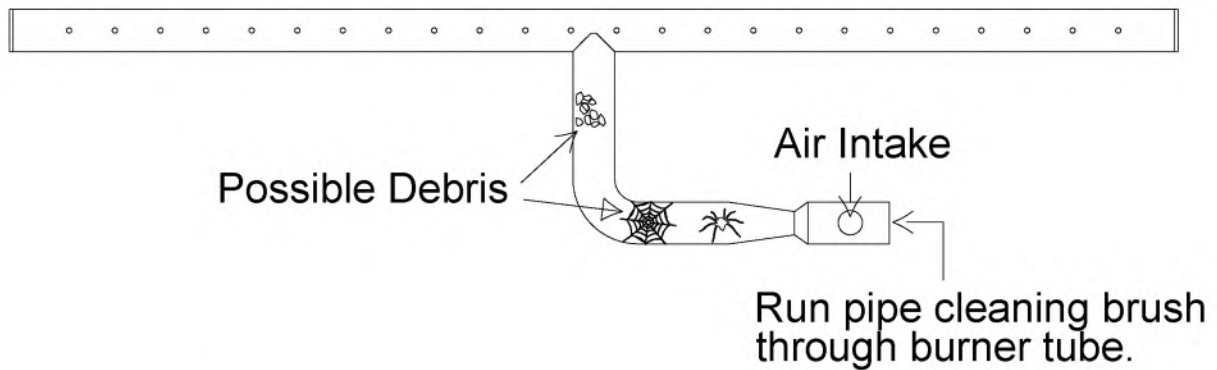
1. Turn the LP gas supply off at the tank. Remove the LP gas tank and store it in a cool, dry location, outside and away from children.
2. Secure all loose filler material or parts.
3. Remove the battery from the igniter box.
4. Cover the fireplace when not in use and do not allow water to pool on the cover surface. Covering the fireplace will help to protect the internal components from dirt and debris and prevent the finish from fading.
5. Store the fireplace in a cool, dry location away from children and pets.

Spider and Insect Warning

Spiders or other insects may build webs or nests in your fireplace burner tube which can obstruct or block the flow of gas.

Some of the gas may back up in the burner tube and cause a flashback (a fire in the burner tube or underneath the fireplace), which could result in property damage, serious injury, or death. Check and clean the burner tube periodically using a pipe cleaning brush (shown below) and compressed air available at any hardware store.

Example of a typical burner tube.
Your exact burner may vary.



Example of pipe cleaning brush available at local hardware store.

Trouble Shooting

Problem	Cause	Solution
Heating unit won't light	Igniter pin and burner are wet	Dry off with a soft cloth
	Igniter battery is incorrectly inserted	Check which direction the battery is inserted
	Igniter pin is broken	Contact Homary for a replacement part
	Electrode wire is loose or disconnected	Reconnect wire to the igniter box located inside the firepit behind the igniter box
	Electrode wire is shorting between valve and igniter pin	Contact Homary for a replacement part.
Burner won't light while using a match	No gas flow	Check that the gas tank isn't empty
	Regulator isn't connected securely to the tank	Tighten regulator connection to the gas tank
	Gas flow is obstructed	Check all hoses for kinks and bends
	Burner ports are clogged	Turn all gas flow connections off. Insert an opened paperclip (or similar item) into each of the burner ports to clear them out.
Heating unit emits a lot of black smoke	Flame is obstructed at burner ports	Check that all burner ports are free of any small lava rocks/pumice stones/LavaGlass® pieces
	Regulator hose is kinked	Straighten hose of all bends or kinks
Sudden drop in gas flow	No gas flow	Check that the gas tank isn't empty
	Excess flow safety valve has been activated	Turn the control knob to the 'off' position. Close the tank valve and disconnect propane gas tank. Turn the control knob to 'high'; wait 1 minute. Turn the control knob back to the 'off' position. Reconnect propane gas tank. Light the fire unit as indicated in the "Lighting Instructions" of this manual.
Flame blows out easily	High or gusting winds	Increase flame to 'high'
	No gas flow	Check that the gas tank isn't empty
	Excess flow safety valve has been activated	See 'sudden drop in gas flow' above