

Important: Always disconnect the power before installing or replacing bulbs and before cleaning or other maintenance.

This light should be installed by a licensed electrician

CAUTION: Do not touch or apply pressure to the LEDs, or damage will occur.

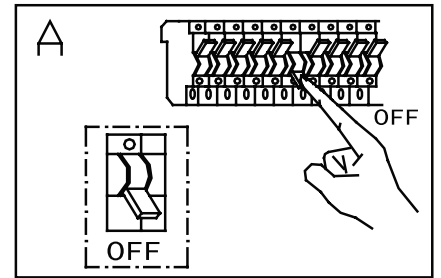
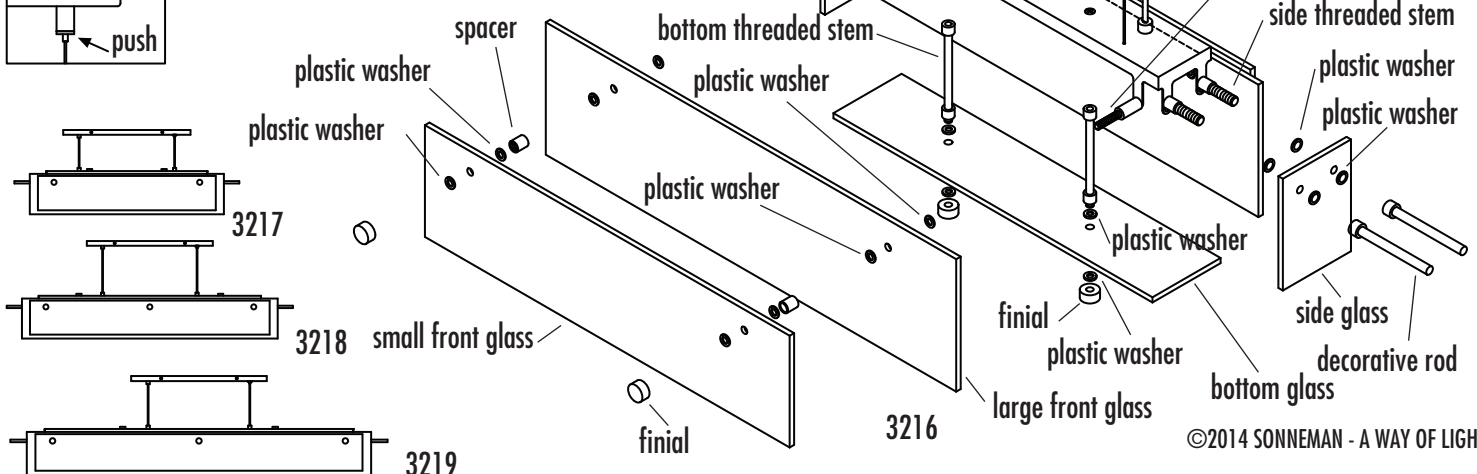
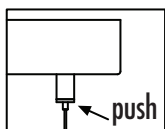
LAMP INSTALLATION AND ASSEMBLY

1. Shut off power to the outlet box. (fig. A)
2. Determine the height at which the fixture is to be hung. Use the wrench to loosen the set screw. (fig. B) Adjust the cord to the desired length. Tighten the set screw to set.
3. Adjust the steel cables to match the length of the power cord.
4. Reserve extra cords in the canopy, and adjust the cord locks so they are 12" from the canopy.
5. Onto the front threaded stems, place in order: plastic washer, large front glass, and another plastic washer. Tighten with spacers.
6. Then onto the front threaded stems, place in order: plastic washer, small front glass, and another plastic washer. Tighten with finials.
7. Onto the side threaded stems, place in order: plastic washer, side glass, and another plastic washer. Tighten with decorative rods.
8. Screw the bottom threaded stems to the studs on the bottom surface of splice box.
9. Onto the bottom threaded stems, place in order: plastic washer, bottom glass, and another plastic washer. Tighten with finials.
10. Attach the mounting plate to the outlet box, secure with outlet box screws. Use anchors and wood screws for extra support (included)
11. Make appropriate electrical connections using wire nuts:
 - a. Connect the transformer's live wire (black) to the live outlet box wire.
 - b. Connect the transformer's neutral wire (white) to the neutral outlet box wire.
 - c. Connect fixture's ground wire (green or uncoated) to the ground outlet box wire. If no ground is present in outlet box, connect fixture's ground wire to the mounting plate using the green screw (included).
 - d. Carefully place connections in outlet box.
12. Attach the canopy to the mounting plate, secure with mounting screws.
13. Adjust the cable and cord lengths to level the fixture, making sure the weight is supported by the steel cables, not the power cords.
14. Restore power to the fixture.

Steel cable adjustment instructions:

To shorten the cable - Just push the cable up, cable will be locked automatically.

To lengthen the cable - Lift up on the cable and push up on the lock. While keeping the lock depressed, lower the cable to the desired length. Release the lock to set.



CARE INSTRUCTIONS

Dusting – Use a clean, dry cloth.

Cleaning – To protect the finish, avoid any harsh abrasives or chemicals.

Note: This fixture is dimmable with Electronic Low Voltage (Trailing-Edge) type dimmers only.