

**Important: Always disconnect the power before installing or replacing bulbs and before cleaning or other maintenance.**

This light should be installed by a licensed electrician

## LAMP INSTALLATION AND ASSEMBLY

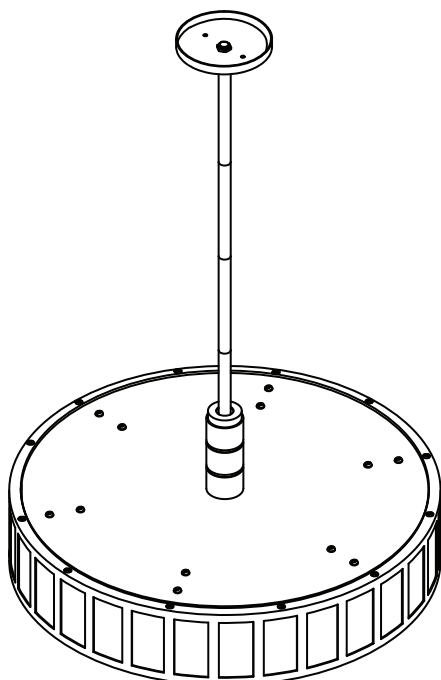
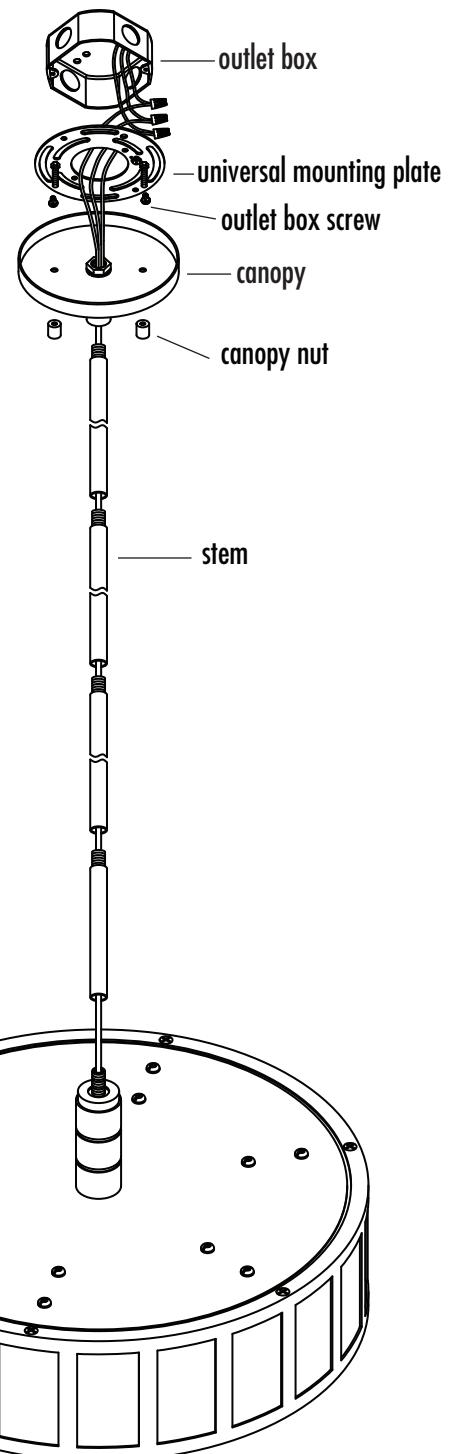
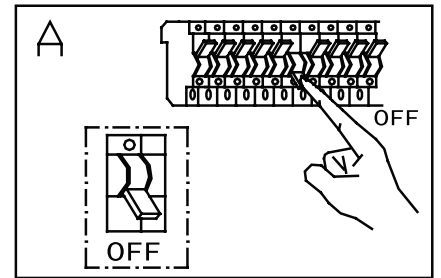
1. Shut off power to the outlet box. (fig. A)
2. Attach the universal mounting plate to the outlet box, secure with outlet box screws.
3. Determine the height at which the fixture is to be hung. Screw together stem sections and canopy to achieve desired length.
4. The cord lengths can be shortened if necessary by cutting cord to length plus six inches.
5. Make appropriate electrical connections using wire nuts:
  - a. Connect the fixture's live wire (black) to the live outlet box wire.
  - b. Connect the fixture's neutral wire (white) to the neutral outlet box wire.
  - c. Connect fixture's ground wire (green or uncoated) to the ground outlet box wire. If no ground is present in outlet box, connect fixture's ground wire to the mounting plate using the green screw (included).
  - d. Carefully place connections in outlet box.
6. Attach canopy to universal mounting plate, secure with canopy nuts.
7. Restore power to the fixture.

## CARE INSTRUCTIONS

Dusting – Use a clean, dry cloth.

Cleaning – To protect the finish, avoid any harsh abrasives or chemicals.

**NOTE: This fixture is dimmable with Electronic Low Voltage (Trailing-Edge) and Incandescent (Leading-Edge) type dimmers. For best performance, we recommend using an Electronic Low Voltage dimmer.**



2522

2520