

**Cubix**<sup>™</sup>

**24Z0006K**

Medium Surface Mount

## Cubix™ Product Information and Warnings

### Important

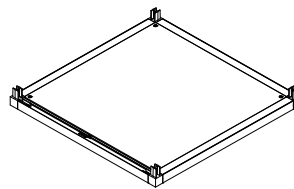
- **Always disconnect the power before installing or replacing Luminaires and before cleaning or other maintenance.**
- **Consult a qualified, licensed electrician to ensure correct branch circuit conductor.**
- ***Consulter un électricien qualifié pour vous assurer que les conducteurs de la dérivation sont adéquats.***
- Please read all included assembly instructions and warnings carefully before installation. Contact Customer Service if you have any questions or concerns. Before installation, please confirm that the fixture is compatible with your supply voltage and dimming system, if present.
- LEDs are highly sensitive electronic devices, and must be treated with care. Do not open any factory sealed compartments, and avoid touching the LEDs with your hands or any object.
- Although all our fixtures are equipped with protective devices, LED electronic systems are vulnerable to power surges and supply variations. Do not install LED fixtures on the same circuit as any motors, appliances, or HVAC systems.
- Remote LED Driver installation must be done by a licensed electrician and in accordance with local building and electrical codes. Remote installations should be in an accessible location, as close to the fixture as possible. The appropriate wire gauge must be used to limit the voltage drop to avoid overloading the LED Driver.
- Any mounting hardware is provided for your convenience and should be used with discretion. Always use the appropriate hardware for the mounting surface.
- All factory-made splices and connections must remain intact. LED circuits are carefully designed and built, and improper connections may damage the fixture.
- The ends of coaxial pendant cords have been precisely stripped and split at the factory and must not be field cut. Excess cord or cable should be neatly coiled and reserved in the fixture canopy.
- Cubix™ LED Drivers are 24VDC Constant Voltage output.
- Cubix™ is suitable for installation in Damp Locations.

## Welcome to Cubix™

A Cubix configuration is built from a series of cubes with lit panels shining down. The system is made of light panels, arms, and connector pieces, allowing different configurations. The fixture is supported by cable ceiling hangers, and is connected to the ceiling canopy.

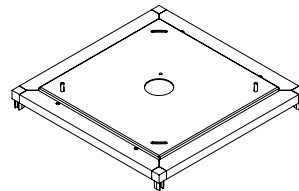
## What comes in the box

### Light Panels



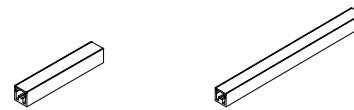
Light Panel  
(24KK1 LPAA-24KK1 LPBS)

### Frames and Arm Frames



Surface Panel  
(24KK1 SPBA-24KK1 SPCA)

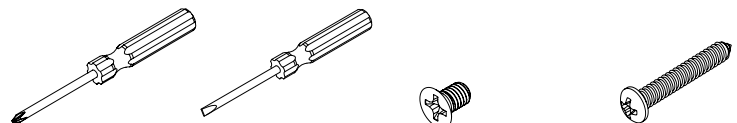
### Arms and Arm Caps



24AK04 (10)

24AK08 (2)

### Miscellaneous



Phillips Screwdriver (1)

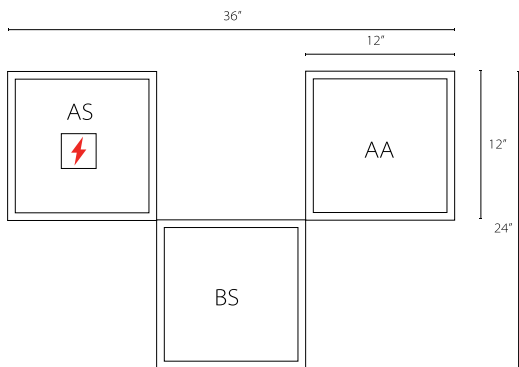
Slotted Screwdriver (1)

Countersunk Screws (28)

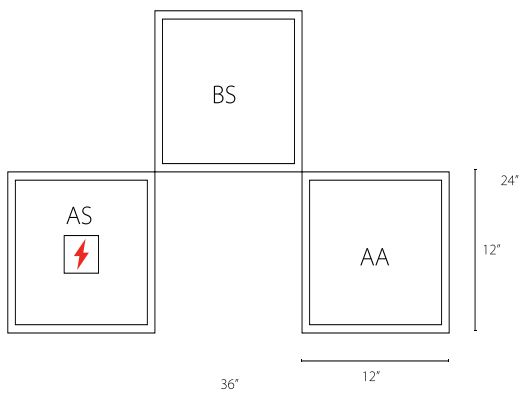
Mounting Screws (12)

## Remote power supply installation

1. Shut off power to the Outlet Box.
2. Determine the desired location to mount the fixture on the ceiling by using Fig. 1a and 1b as a reference for dimensional spacing.



View From Above  
Fig. 1a



View From Below  
Fig. 1b

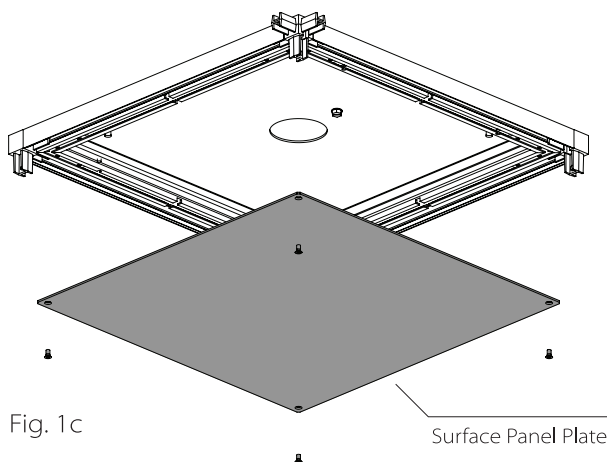


Fig. 1c

Surface Panel Plate

1. If Remote Drive: Install the Power Supply in a remote and accessible location near the fixture in accordance with local electrical code. Make appropriate electrical connections using wire nuts:
  - 1a. Connect the Power Supply's live wire (black) to the live supply wire.
  - 1b. Connect the Power Supply's neutral wire (white) to the neutral supply wire.
  - 1c. Connect the Power Supply's ground wire (green or uncoated) to the ground supply wire.
  - 1d. Connect the Power Supply's positive (+) output wire (red) to the required length of red wire (not included) to reach the Outlet Box.
  - 1e. Connect the Power Supply's negative (-) output wire (black) to the required length of black wire (not included) to reach the Outlet Box.
2. Make appropriate electrical connections from the driver to the Outlet Box using wire nuts (Appendix A):
3. Connect the LED driver's live wire (black) to the live outlet box wire.
  - 3a. Connect the LED driver's neutral wire (white) to the neutral outlet box wire.
  - 3b. Connect the canopy's ground wire (green or uncoated) to the ground outlet box wire. If no ground is present in outlet box, connect canopy's ground wire to the mounting plate using the green screw (included).
  - 3c. Connect the fixture inner conductor to the red driver output wire and connect the fixture outer conductor to the black driver output wire. Carefully place connections in Outlet Box.
4. Remove Surface Panel plates from all frames as shown in Fig. 1c.

## Component Installation *Instructions d'installation*

### 5. Installing the mounting plates

- 5a. Install (2x) 24KK1 **SPBA** and (1x) 24KK1 **SPCA** to one another using countersunk screws as shown in Fig. 2a.
- 5b. Using Fig. 1a and 1b on Page 4 as a guide, install Surface Panels to ceiling using Mounting Screws making sure the wires are properly hanging through access hole of 24KK1 **SPBA**.
- 5c. Section as part of whole assembly shown in Fig. 2b.

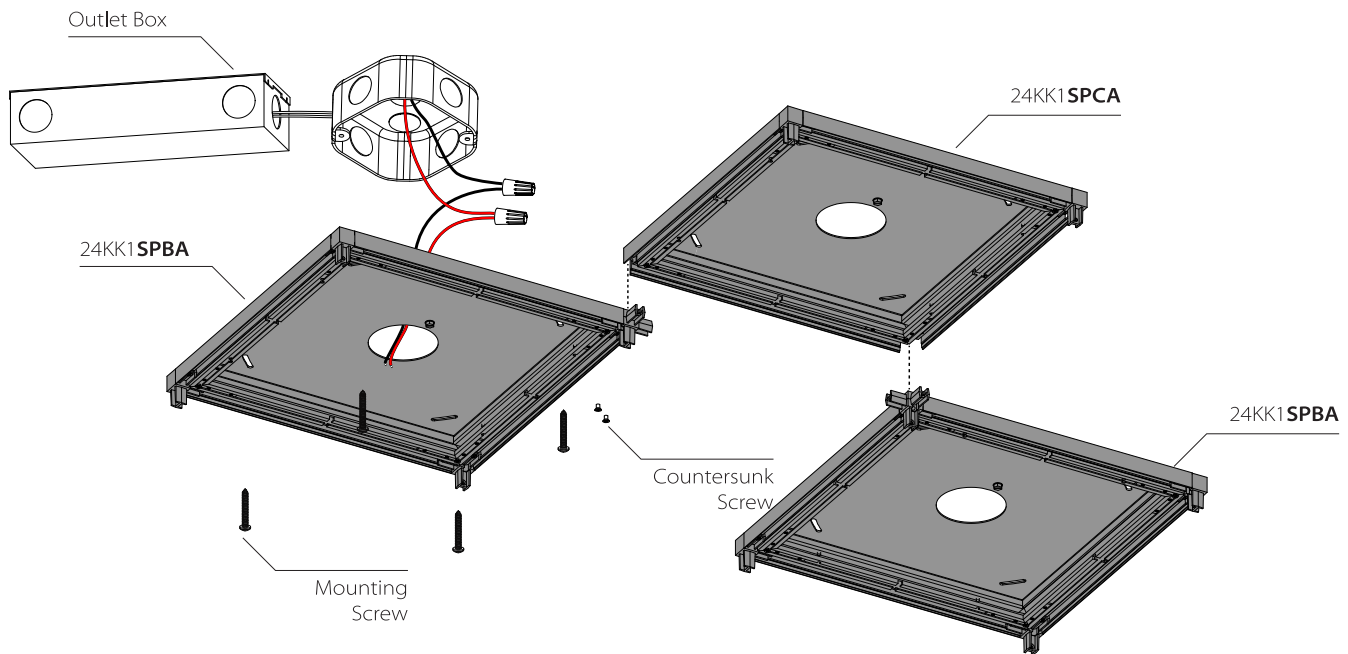


Fig. 2a

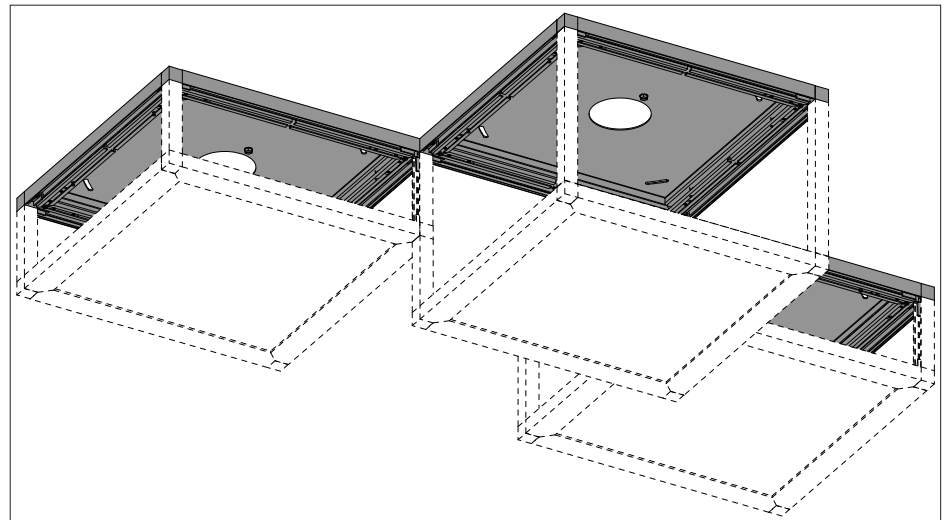


Fig. 2b

## Component Installation *Instructions d'installation*

### 6. First section

6a. Install (4x) 24AK04 to 24KK1LPAS in the orientation in Fig. 3a. Install assembly to 24KK1SPBA.

**NOTE: Pay close attention to arm orientation, as it will affect wiring in later stages.**

6b. Section as part of whole assembly shown in Fig. 3b.

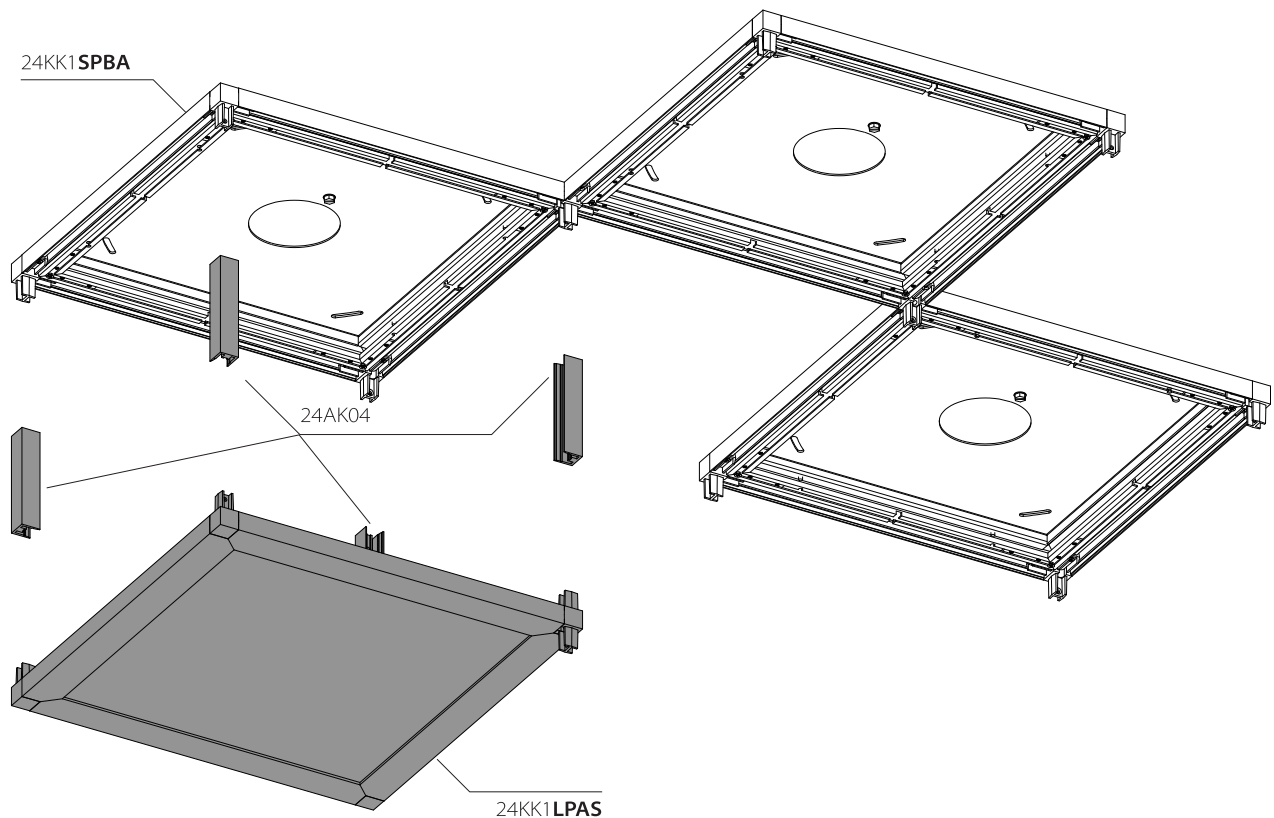


Fig. 3a

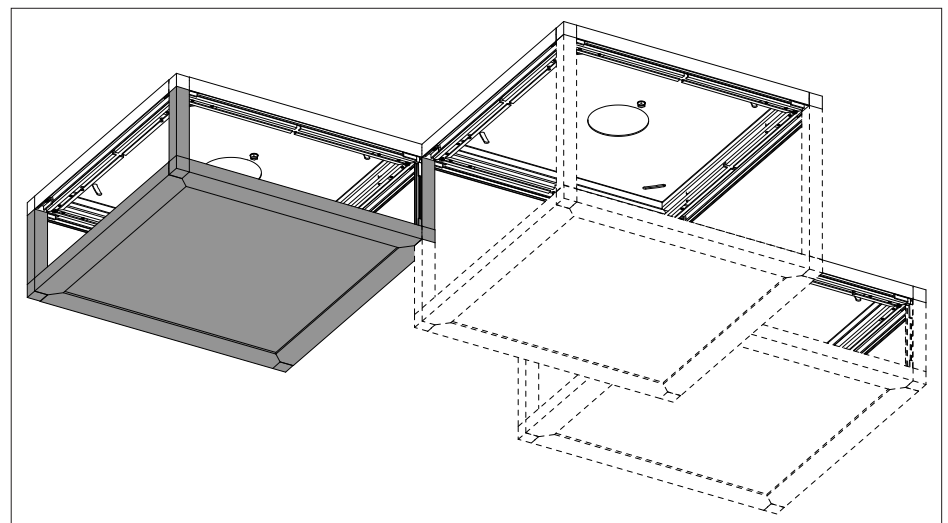


Fig. 3b

## Component Installation *Instructions d'installation*

### 7. Second section

7a. Install (4x) 24AK04 to 24KK1LPAA in the orientation shown in Fig. 4a. Install assembly to 24KK1SPBA.

**NOTE: Pay close attention to arm orientation, as it will affect wiring in later stages.**

7b. Section as part of whole assembly shown in Fig. 4b.

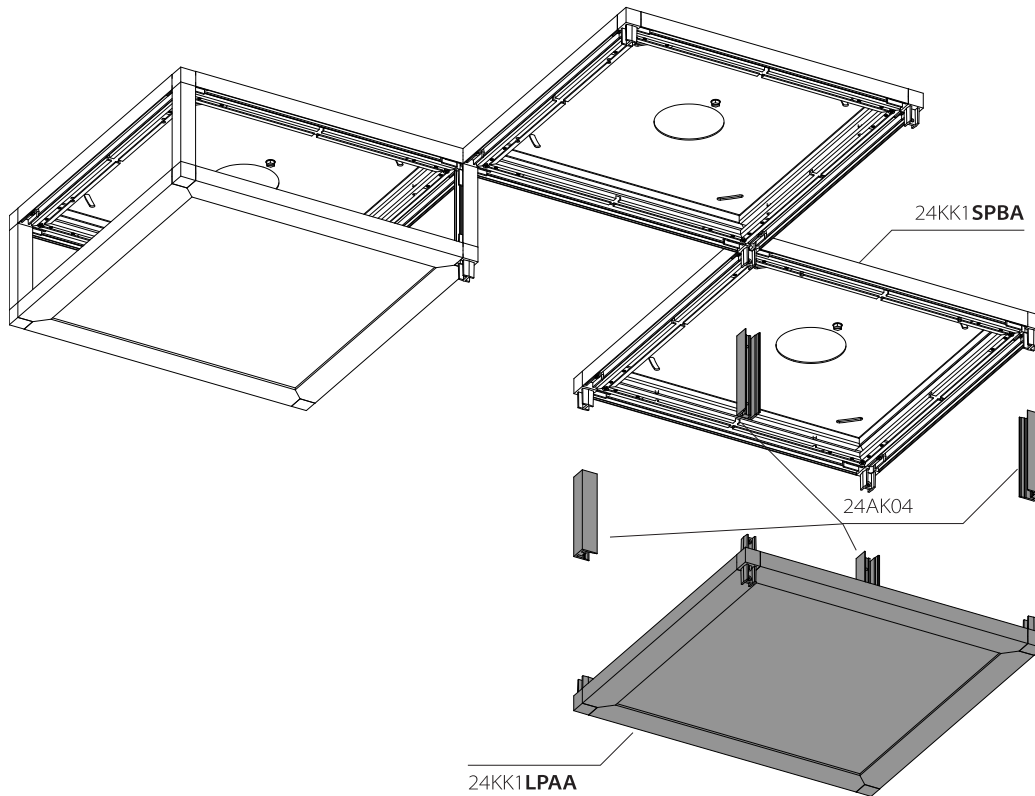


Fig. 4b

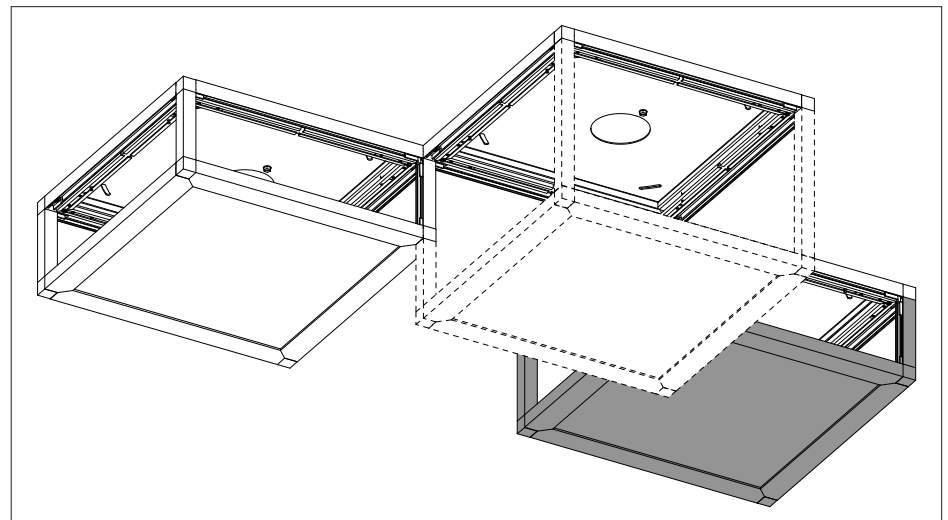


Fig. 4b

## Component Installation *Instructions d'installation*

8. Install (2x) 24AK08 and (2x) 24AK04 to 24KK1LPBS in the orientation shown in Fig. 5a and install assembly to 24KK1LPAA, 24KK1LPAS, and 24KK1SPCA.

**NOTE: Pay close attention to arm orientation, as it will affect wiring in later stages.**

9. Finishing fixture
  - 9a. Complete fixture wiring by using wiring diagram in Appendix A.
  - 9b. Reinstall Surface Panel Plates with countersunk screws, install all missing Arm Caps as shown in Fig. 5b, and restore power back to Outlet Box.
  - 9c. **NOTE: Make sure Surface Panel Plates and Arm Caps are not pinching wires.**

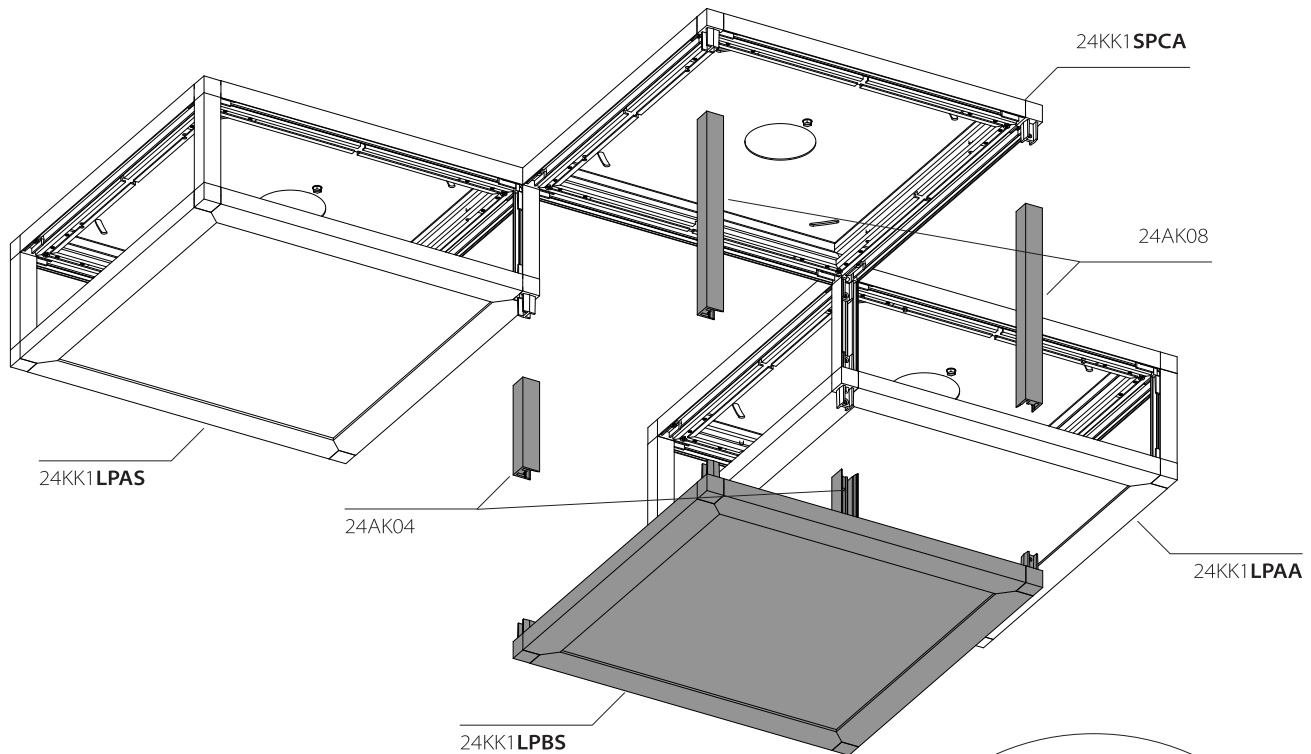


Fig. 5a

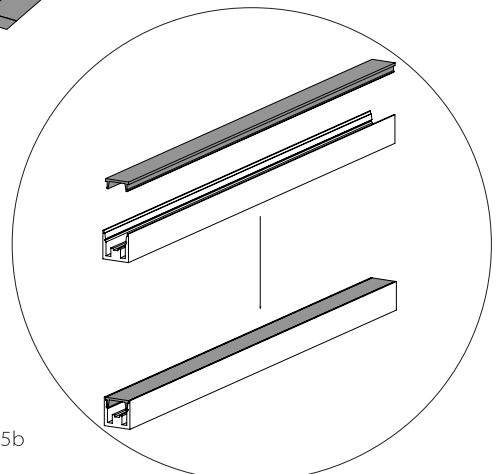
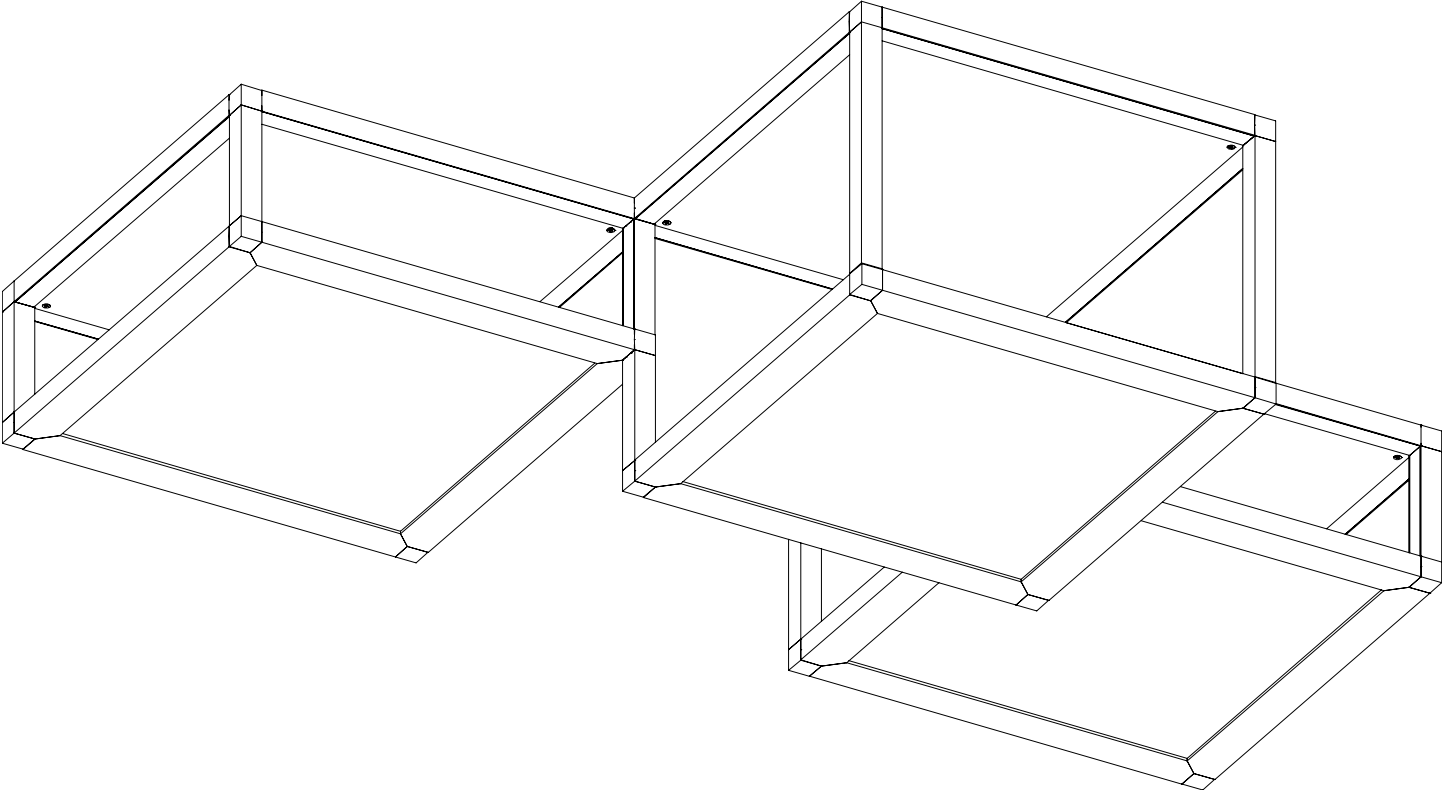


Fig. 5b

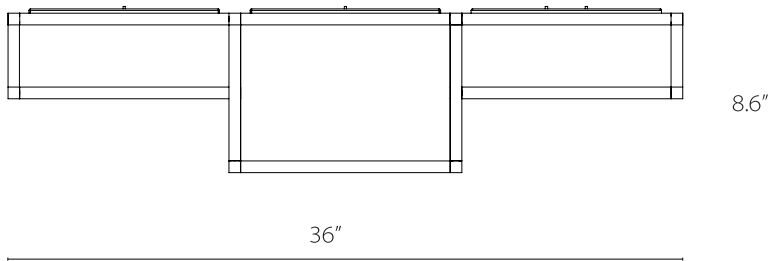


Completed assembly

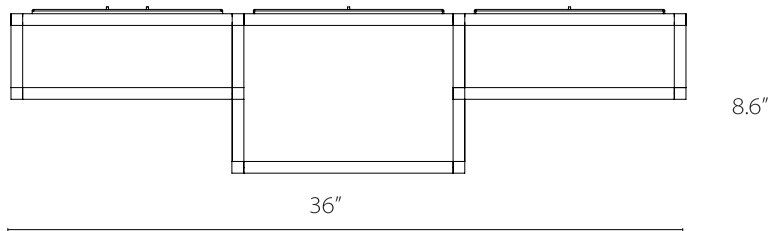


## Completed assembly

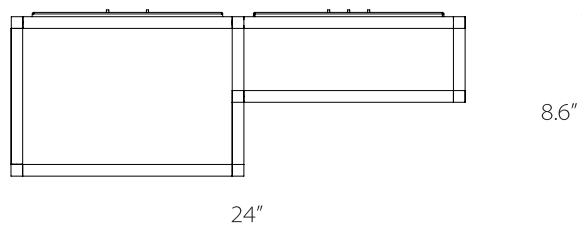
Finished Front View



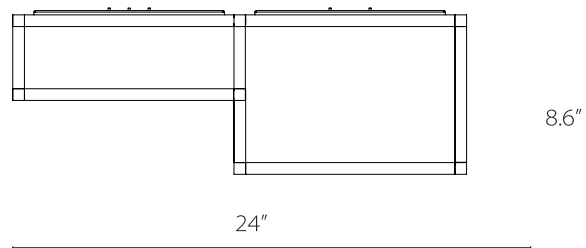
Finished Back View



Finished Right Side View



Finished Left Side View



### Wiring reference

The red lines indicate the wiring path for both the red and black wires from the remote location fed through 24KK1 **SPBA** that connects Light Panel to Light Panel. (See Fig. A for example of how to place wire nuts.)

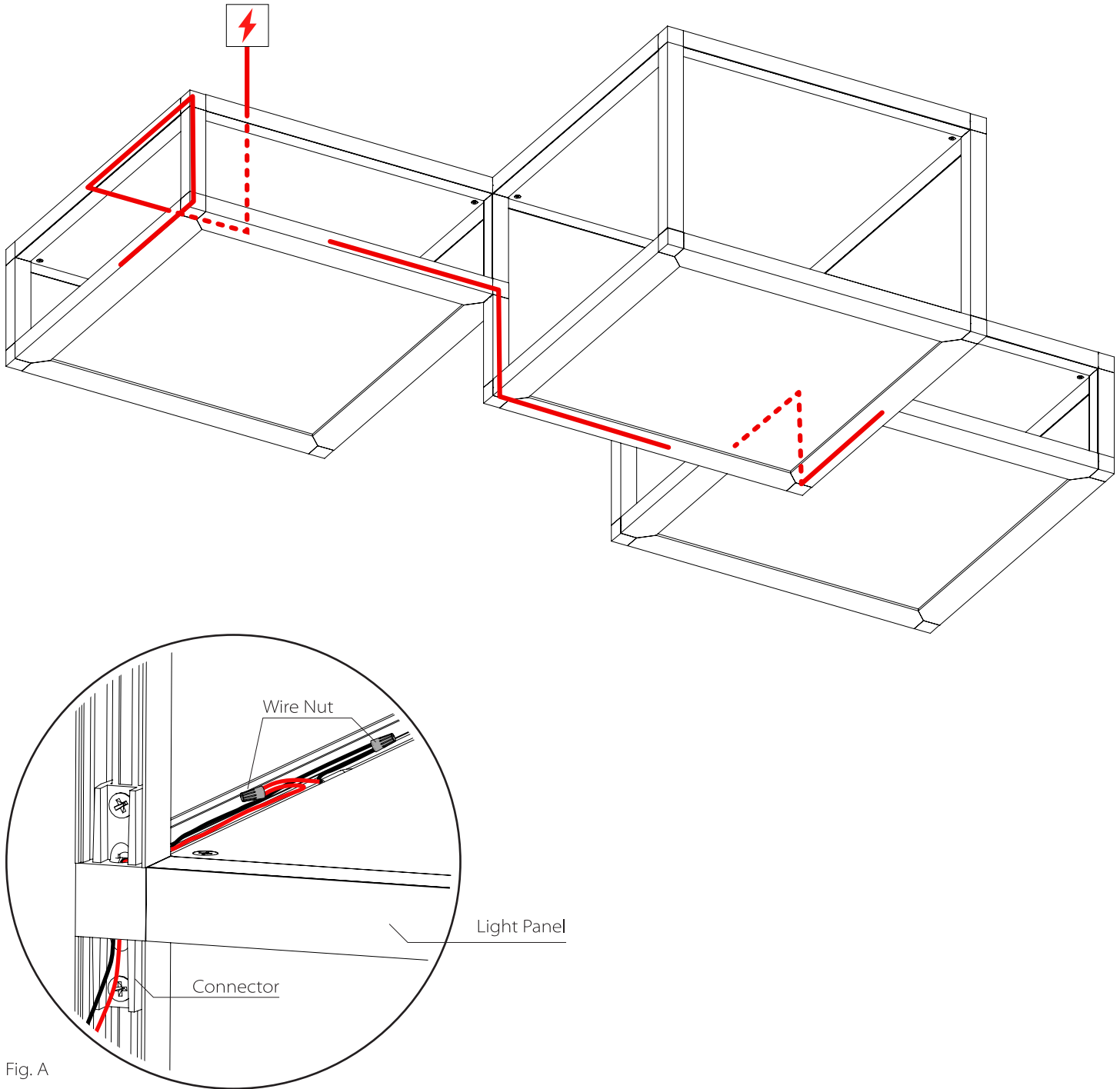


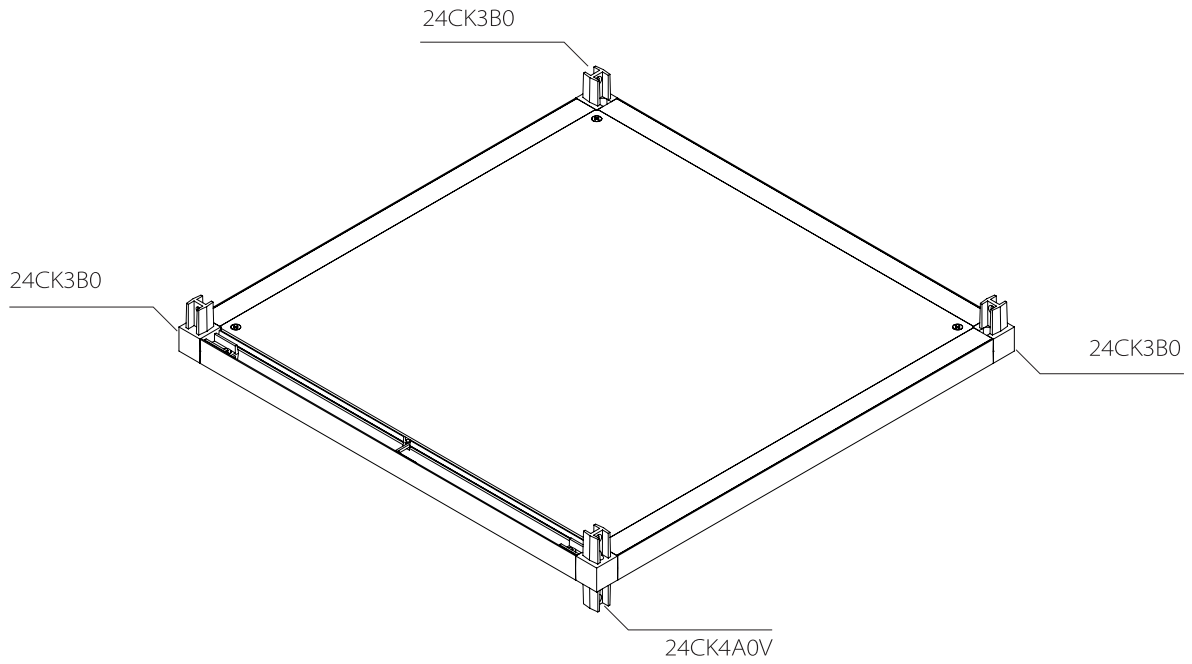
Fig. A

# Assembly Instructions

## Appendix C

**24CK3B0:** 3-arm Type B Connector

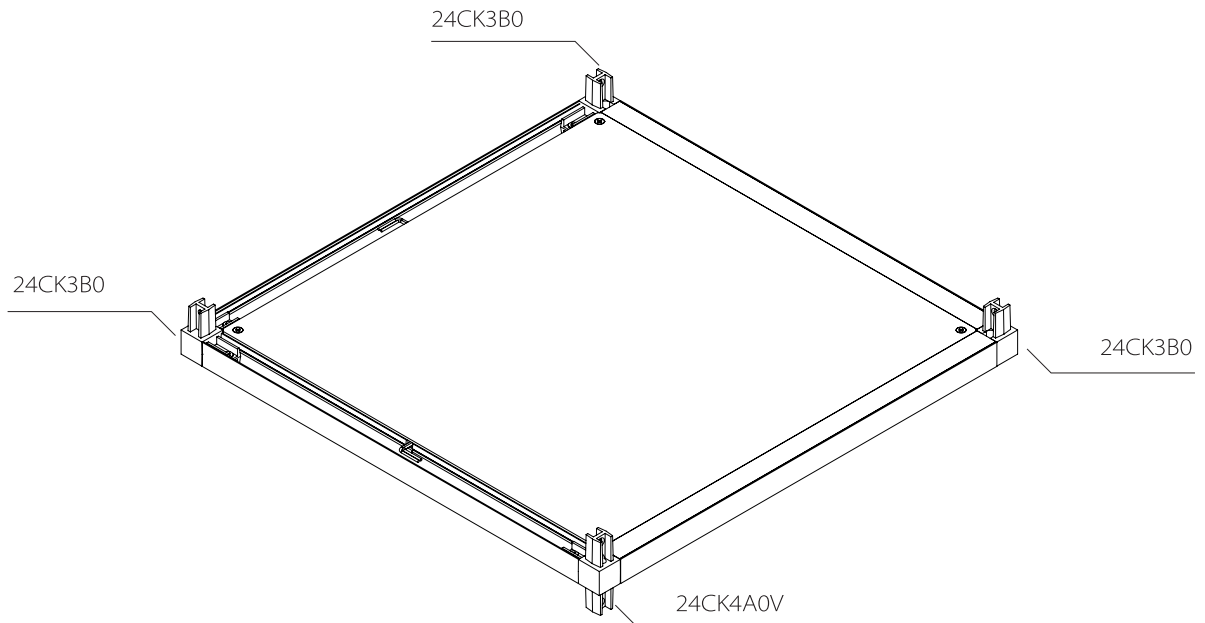
**24CK4A0V:** 4-arm Vertical Type A Connector



**24KK1LPAA**  
Light Panel A

**24CK3B0:** 3-arm Type B Connector

**24CK4A0V:** 4-arm Vertical Type A Connector



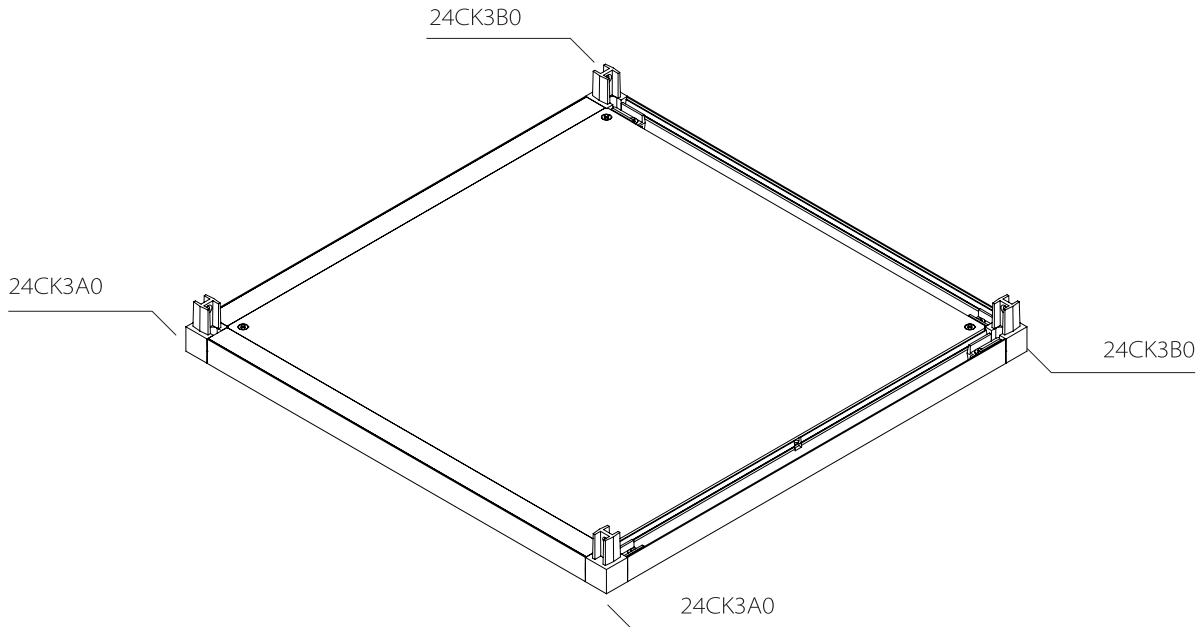
**24KK1LPAS**  
Light Panel AS

# Assembly Instructions

## Appendix B

**24CK3B0:** 3-arm Type B Connector

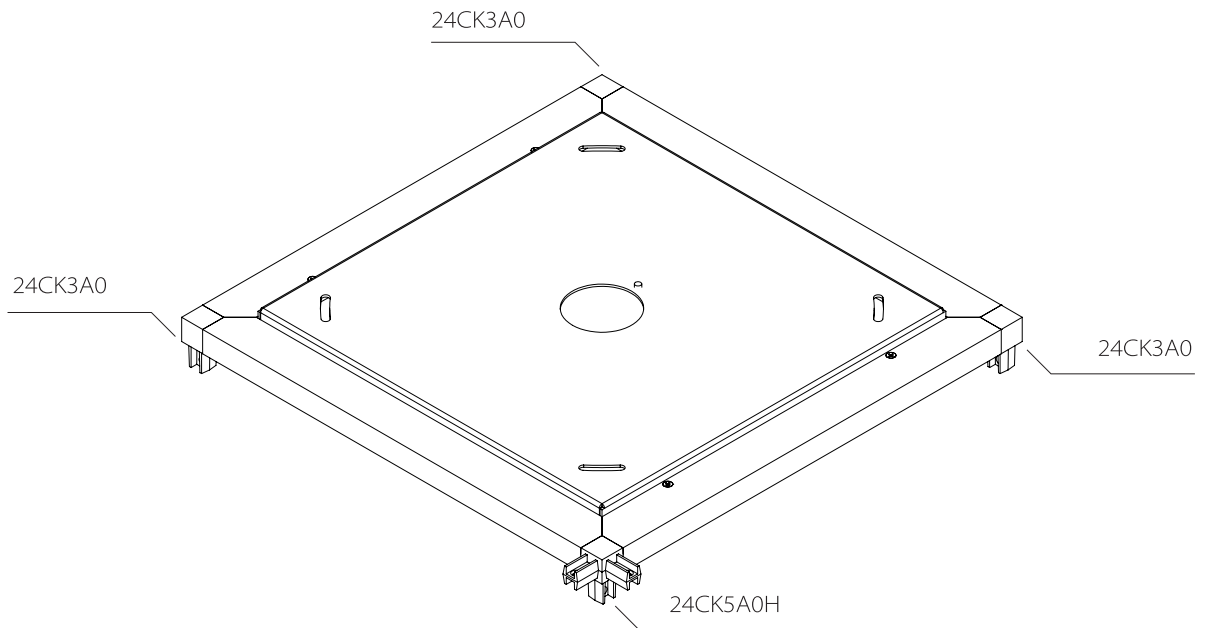
**24CK3A0:** 3-arm Type A Connector



**24KK1LPBS**  
Light Panel BS

**24CK3A0:** 3-arm Type A Connector

**24CK5A0H:** 5-arm Horizontal Type A Connector

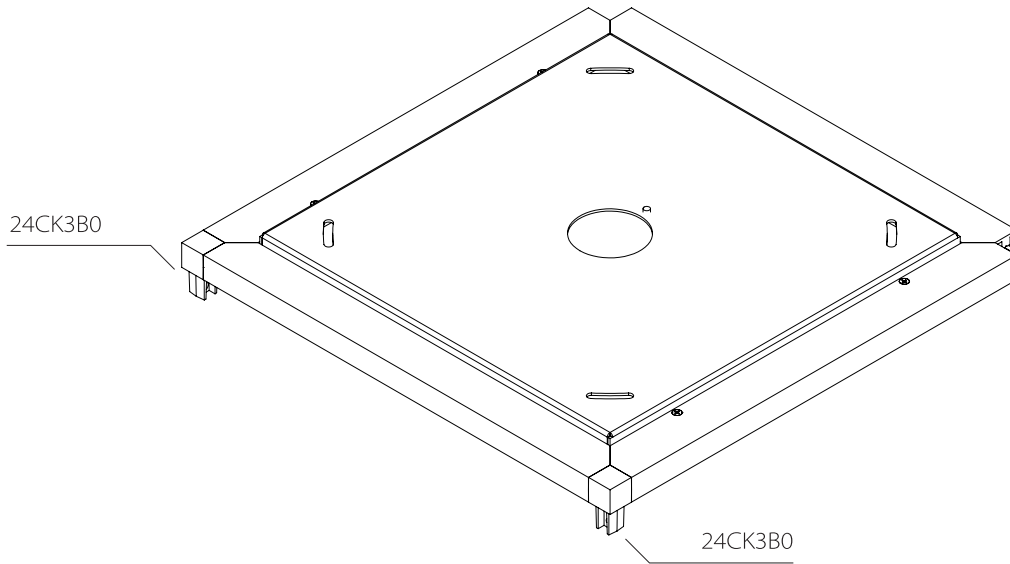


**24KK1SPBA**  
Surface Panel B

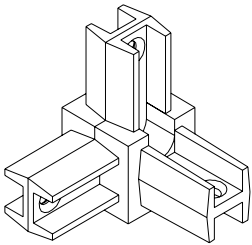
# Assembly Instructions

## Appendix B

**24CK3B0:** 3-arm Type B Connector

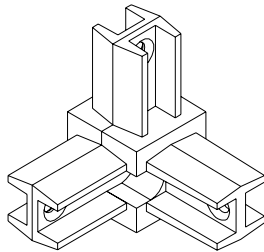


**24KK1SPCA**  
Surface Panel C



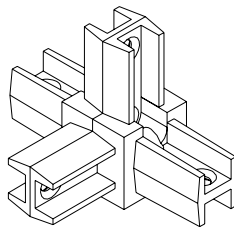
**24CK3A0**

3-arm Type A Connector



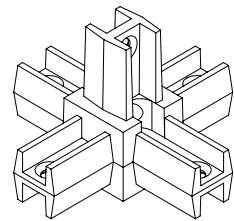
**24CK3B0**

3-arm Type B Connector



**24CK4A0V**

4-arm Vertical Type A Connector



**24CK5A0H**

5-arm Horizontal Type A Connector