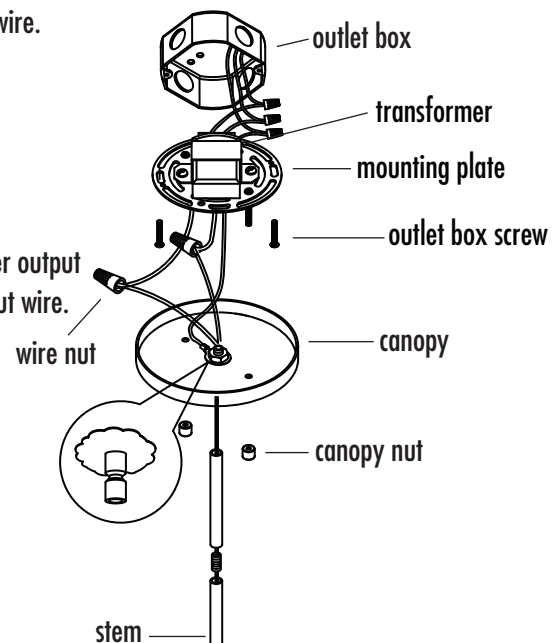
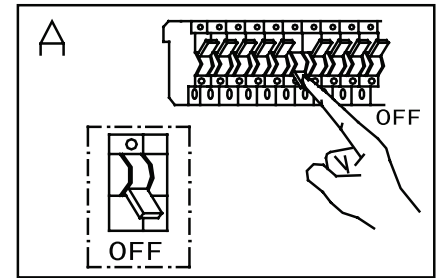


Important: Always disconnect the power before installing or replacing bulbs and before cleaning or other maintenance.

This light should be installed by a licensed electrician

LAMP INSTALLATION AND ASSEMBLY

1. Shut off power to the outlet box. (fig. A)
2. Determine the height at which the fixture is to be hung. Feed the fixture wires through the stem sections and canopy. Screw together the stems and canopy to achieve desired length.
3. Make appropriate electrical connections using wire nuts:
 - a. Connect the transformer's live wire (black) to the live outlet box wire.
 - b. Connect the transformer's neutral wire (white) to the neutral outlet box wire.
 - c. Connect fixture's ground wire (green or uncoated) to the ground outlet box wire. If no ground is present in outlet box, connect fixture's ground wire to the mounting plate using the green screw (included).
 - d. Carefully place connections in outlet box.
4. Attach the mounting plate to the outlet box, secure with outlet box screws.
5. Using wire nuts, connect the black fixture wire to one of the red transformer output wires, and connect the white fixture wire to the other red transformer output wire.
6. Attach the canopy to the mounting plate, secure with canopy nuts.
7. Place the shades on the heat sinks, secure with socket rings.
8. Restore power to the fixture.



CARE INSTRUCTIONS

- Dusting – Use a clean, dry cloth.
Cleaning – To protect the finish, avoid any harsh abrasives or chemicals.

Note: This fixture is dimmable with Electronic Low Voltage (Trailing-Edge) type dimmers only.

