

# LED Product Information and Warnings

## Important

- **Always disconnect the power before installing or replacing bulbs and before cleaning or other maintenance.**
- **Consult a qualified, licensed electrician to ensure correct branch circuit conductor.**
- Please read all included assembly instructions and warnings carefully before installation. Contact Customer Service if you have any questions or concerns. Before installation, please confirm that the fixture is compatible with your supply voltage and dimming system, if present.
- LEDs are highly sensitive electronic devices, and must be treated with care. Do not open any factory sealed compartments, and avoid touching the LEDs with your hands or any object.
- Although all our fixtures are equipped with protective devices, LED fixtures are vulnerable to power surges and supply variations. Do not install LED fixtures on the same circuit as any motors, appliances, or HVAC systems.
- Do not remove or bypass any LED Driver or Transformer that is provided with the fixture, and do not replace or substitute with another power supply.
- Remote LED Driver or Transformer installation must be done by a licensed electrician and in accordance with local codes. Remote installations should be in an accessible location, as close to the fixture as possible.
- Fixtures must be wired in parallel on independent leads; do not "daisy chain" multiple fixtures together or wire them in series.
- All factory-made splices and connections must remain intact. LED circuits are carefully designed and built, and improper connections may damage the fixture.
- The ends of coaxial pendant cords have been precisely stripped and split at the factory and must not be field cut. Excess cord or cable should be neatly coiled and reserved in the fixture canopy.
- Any mounting hardware is provided for your convenience and should be used with discretion. Always use the appropriate hardware for the mounting surface.

# Assembly Instructions

**1715, 1716, 1717**
**INSTRUCTIONS D'INSTALLATION**

Profili Series - Sweep LED Sconce, Chippendale LED Sconce, Ogee LED Sconce

**Important**

- Always disconnect the power before installing or replacing bulbs and before cleaning or other maintenance.
- Consult a qualified, licensed electrician to ensure correct branch circuit conductor.  
*Consulter un électricien qualifié pour vous assurer que les conducteurs de la dérivation sont adéquats.*

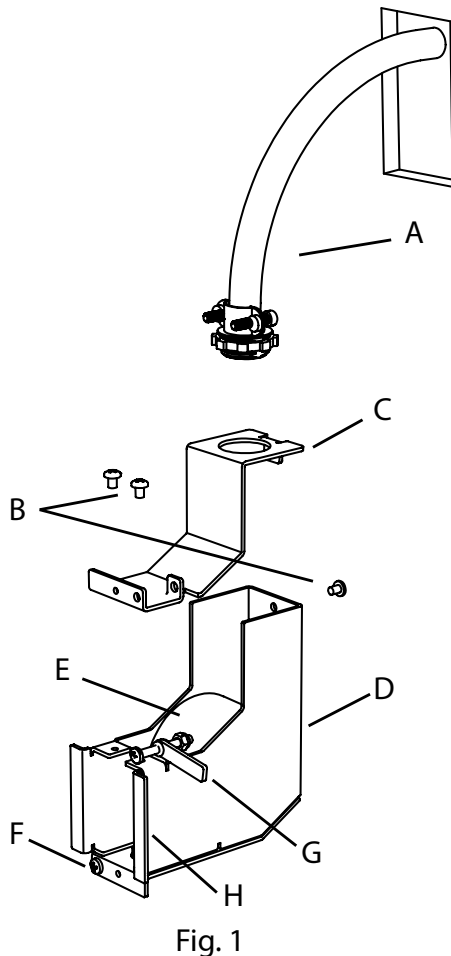


Fig. 1

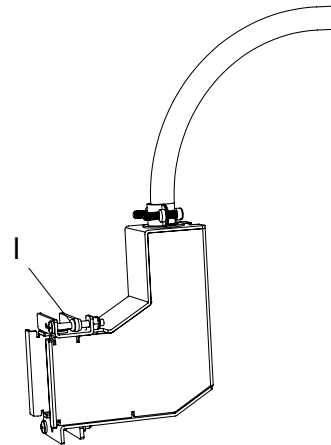


Fig. 2

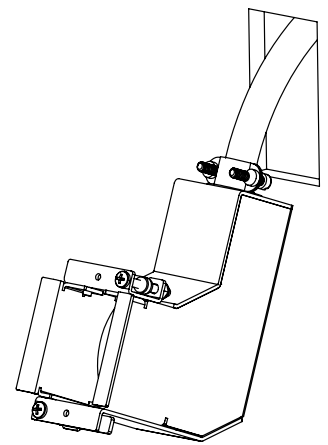


Fig. 3

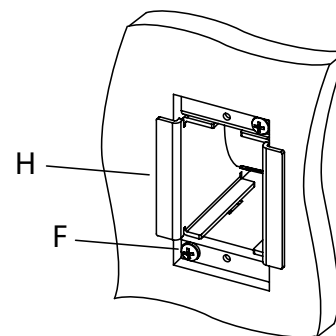


Fig. 4

1. Shut off power to the branch circuit conductor, 1/2 trade size flexible metal conduit or building cable (A). (Fig. 1)
2. Cut an opening in the mounting surface (minimum 3/8" thick) that measures 1.5" wide by 2.75" high. (Fig. 1)
3. Pull the flexible cable/conduit (A) through the opening. (Fig. 1)
4. Remove the three Phillips screws (B) and separate the Minibox into upper (C) and lower (D) halves. (Fig. 1)
5. Remove the knockout tab from the upper half (C) and attach the cable/conduit (A) to the knockout opening using appropriate connectors (Note: Cable/conduit and connectors not included). (Fig. 1)
6. Make appropriate electrical connections using wire nuts:
  - a. Connect the LED driver's (E) live wire (black) to the live outlet box wire.
  - b. Connect the LED driver's (E) neutral wire (white) to the neutral outlet box wire.
  - c. Connect the ground wire (green) to the outlet box ground screw.
  - d. Carefully place connections and LED driver (E) in lower half (D), with the connections in the section near the knockout. (Fig. 1)
7. Reattach upper (C) and lower (D) halves by installing the three Phillips screws (B) removed previously. (Fig. 1)
8. Loosen the two mounting screws (F) on the front face of the Minibox until the gap between the wing tabs (G) and the side tabs (H) is greater than the thickness of the mounting surface.
9. Flip wing tabs (G) inward so that the Minibox will fit into the drywall opening. (Fig. 2)
10. Slide O-rings (I) along mounting screws (F) so that they are flush against the wing tabs (G). (Fig. 2)
11. Feed the Minibox into the wall opening at a slight angle (Fig. 3) until the side tabs (H) are pressed against the mounting surface. (Fig. 4)

(continued on next page)

# Assembly Instructions

1715, 1716, 1717

## INSTRUCTIONS D'INSTALLATION

Profili Series - Sweep LED Sconce, Chippendale LED Sconce, Ogee LED Sconce

### Important

- Always disconnect the power before installing or replacing bulbs and before cleaning or other maintenance.
- Consult a qualified, licensed electrician to ensure correct branch circuit conductor.  
*Consulter un électricien qualifié pour vous assurer que les conducteurs de la dérivation sont adéquats.*

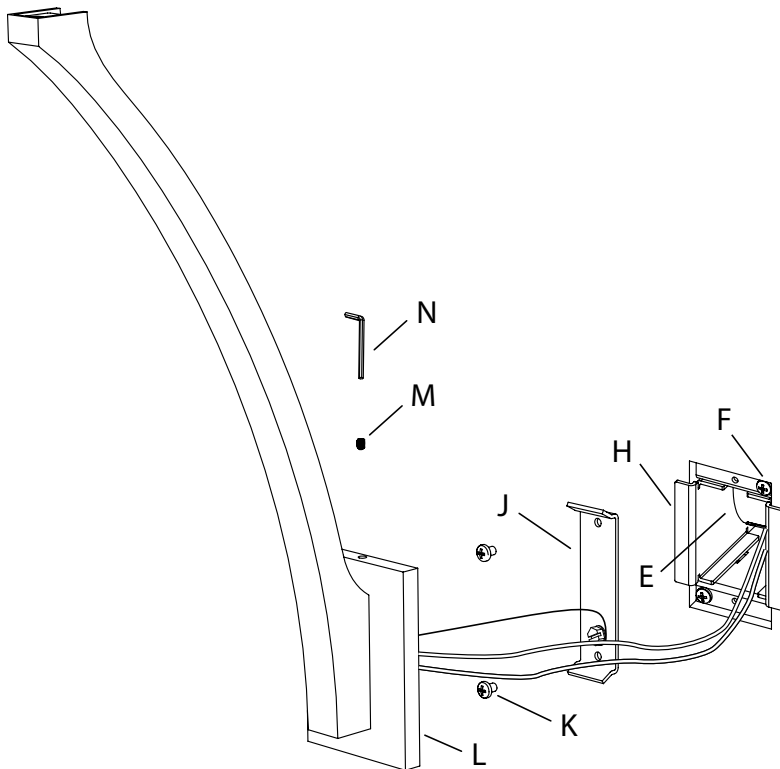
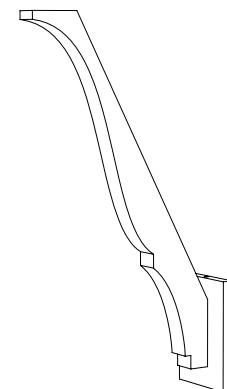
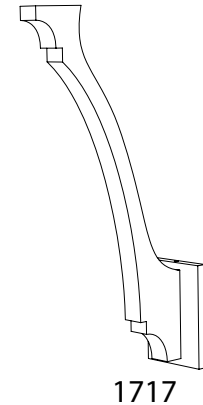


Fig. 5



1716

12. While keeping the side tabs (H) pressed against the mounting surface, secure the Minibox to the mounting surface by tightening the two mounting screws (F). (Fig. 5)
13. Make appropriate electrical connections using wire nuts:
  - a. Connect the LED driver's (E) negative output wire (black) to the fixture's negative wire (black).
  - b. Connect the LED driver's (E) positive output wire (red) to the fixture's positive wire (red).
  - c. Connect the fixture's ground wire (green or uncoated) to the mounting bracket (J) using the green screw (included).
  - d. Carefully place connections in Minibox.
14. Attach mounting bracket (J) with two mounting screws (K). (Fig. 5)
15. Attach fixture back plate (L) to mounting bracket (J). Secure using set screw (M) and included Allen key (N). (Fig. 5)
16. Restore power to the fixture.

### Note

- This fixture is dimmable with Electronic Low Voltage (Trailing-Edge) type and Incandescent (Leading-Edge) type dimmers. For best performance, we recommend using an Electronic Low Voltage dimmer.

### Care Instructions

- **Dusting:** Use a clean, dry cloth.
- **Cleaning:** To protect the finish, avoid any harsh abrasives or chemicals.